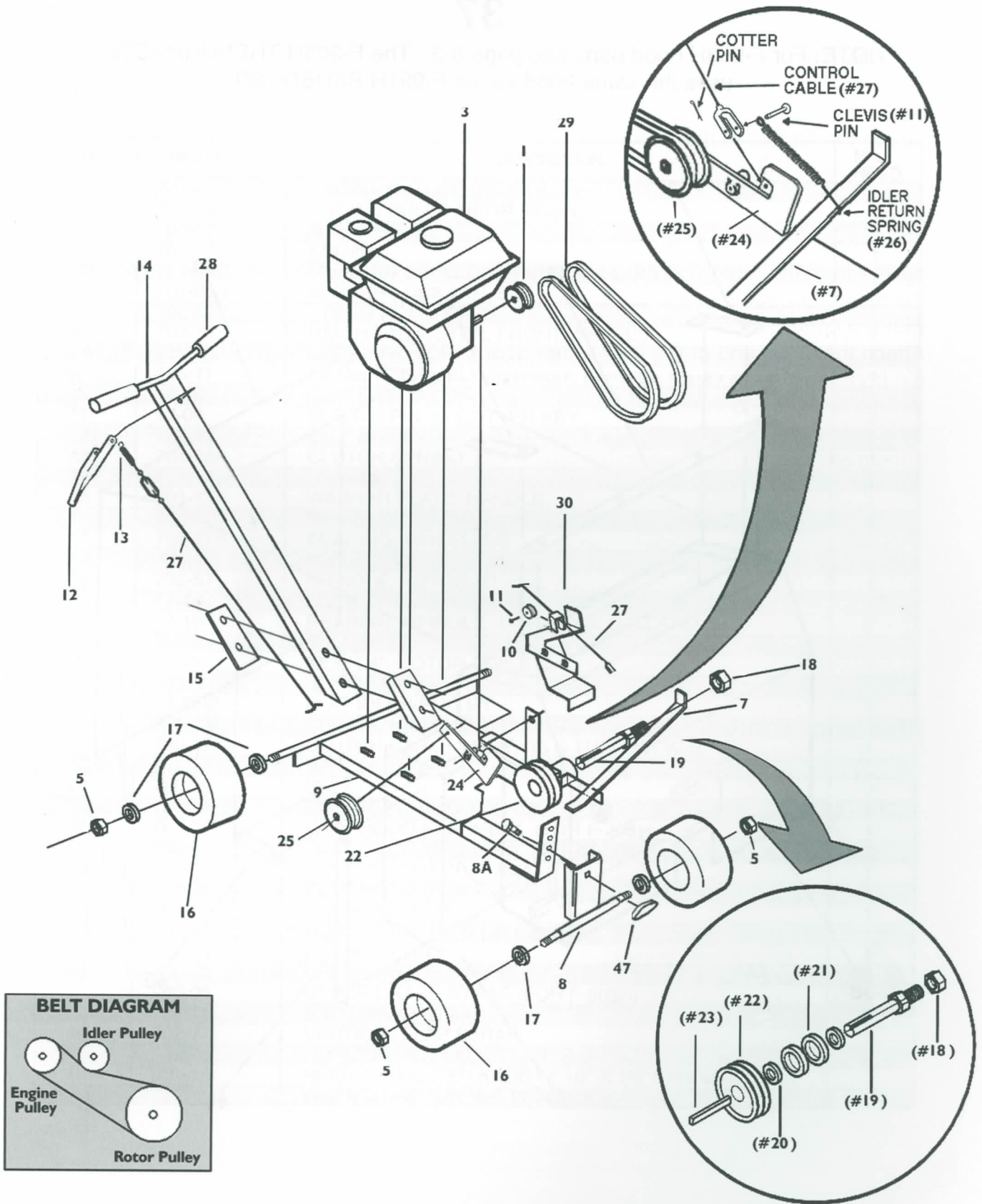


TRENCHMASTER® MODELS F-703 & F-903H Parts Drawings

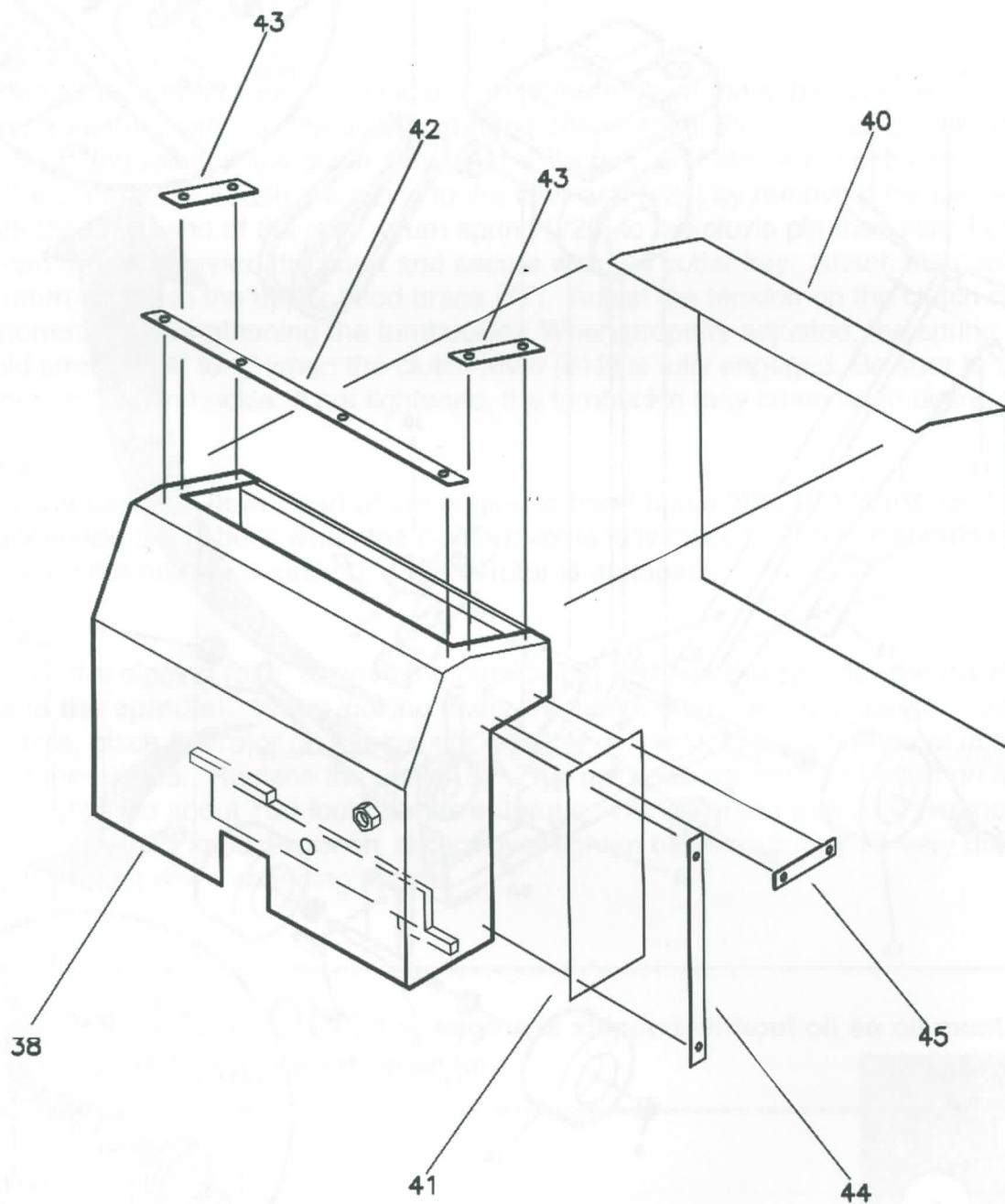


TRENCHMASTER® MODELS F-703 & F-903H

Parts Drawings

37

NOTE: For F-903H hood parts see page 8-3. The F-903H TRENCHMASTER® uses the same hood as the F-991H BEDEDGER.



TRENCHMASTER® MODELS F-703 & F-903H Parts List

REF. NO.	PART NO.	DESCRIPTION	NO. REQD.
1	701-02-2	ENGINE PULLEY, DOUBLE	1
	780-09	ENGINE PULLEY (FOR F903H)	1
2	701-03	3/16" KEY	1
3	701-04	ENGINE	1
3A	701-04D	MUFFLER DEFLECTOR, (HONDA ONLY)	1
5	701-06A	STOVER LOCK NUT, 5/8"	4
7	702-53	UPPER HOOD BRACE	1
8	703-10	HEIGHT ADJUSTER, FRONT WHEELS	1
8A	703-10A	CARRIAGE BOLT & NUT, 1/2"	1
9	703-11	FRAME ASSEMBLY (W/SPINDLE, BEARINGS, PULLEY AND NUT)	1
10	12-08	CABLE SHEAVE	1
11	12-09	SHEAVE PIN W/ COTTER KEY	2
12	702-12	CLUTCH LEVER	1
13	701-24A	CLUTCH SPRING	1
14	701-13	HANDLE	1
15	701-13A	WASHER PLATE, HANDLE	1
16	702-50C	WHEEL, WITH PNEUMATIC TIRE, 5/8" BEARING	4
17	702-27B	BEARING, WHEEL, 5/8"	8
18	12-14	NUT, ROTOR, 1"	1
19	702-57	SPINDLE, ROTOR, 1"	1
20	12-17	LOCK COLLAR, BEARING(COMES W/BRG)	2
21	12-16	BEARING, SPINDLE, 1" (W/LOCK COLLAR)	2
22	702-59-2	PULLEY, ROTOR, DOUBLE	1
23	12-19	KEY, 1/4", ROTOR PULLEY	1
24	780-36	IDLER ARM	1
25	12-22-2	FLAT IDLER PULLEY	1
26	701-23A	SPRING, IDLER ARM RETURN	1
27	780-07	CLUTCH CABLE W/CLEVIS & TURNBUCKLE	1
28	701-25	HANDLE GRIP	2
29	780-30	BELT	2
30	703-14	ENGINE-TO-HOOD BRACE	1
37	703-12	CLAY HOOD ASSEMBLY (FOR F-703)	1
	990-02	CLAY HOOD ASSEMBLY (FOR F-903H)	1
38	703-13	CLAY HOOD (FOR F-703)	1
	990-03	CLAY HOOD (FOR F-903H)	1
40	702-73	RUBBER DRAPE	1
	990-04	RUBBER DRAPE (FOR F-903H)	1
41	702-74	RUBBER FLAP	1
42	702-75	UPPER DRAPE STRAP	1
	990-05	UPPER DRAPE STRAP (FOR F-903H)	1
43	702-76	END DRAPE STRAP	2
44	702-77	VERTICAL FLAP STRAP	1
45	702-78	HORIZONTAL FLAP STRAP	1
47	991-10	HEIGHT ADJUSTER KNOB W/ 1/2" X 1/4" CARRIAGE BOLT	1
	702-122	WRENCH, ROTOR NUT W/ HANDLE	1