

OWNER'S / OPERATOR'S MANUAL



376 County Hwy. 563 / Midland City, AL 36350 / 1-800-897-3726



INTRODUCTION

CONGRATULATIONS! You are now the owner of a Brown **EdgeMaster™**.

READ THIS MANUAL CAREFULLY! This manual will help you learn how to operate and service your **EdgeMaster™** correctly. Failure to read and follow the instructions of this manual could result in personal injury or equipment damage. This manual should be considered a permanent part of your **EdgeMaster™**. All operators should read and follow these instructions prior to operating the **EdgeMaster™**.



TABLE OF CONTENTS

SAFETY.....	1
OPERATION.....	5
TROUBLESHOOTING.....	7
WARRANTY.....	8
SERVICE.....	11
PARTS LIST.....	12
ASSEMBLY INSTRUCTIONS.....	16

All information, including illustrations and specifications, contained in this manual are based on the latest information available at the time of publication. The right is reserved to make changes, when deemed necessary, without notice.

PAGE LEFT BLANK INTENTIONALLY

SAFETY

RECOGNIZE SAFETY INFORMATION

This is the safety-alert symbol. When you see this symbol in this manual or on your **EdgeMaster™**, be alert to the potential for personal injury.



UNDERSTAND SIGNAL WORDS

CAUTION is used for general reminders of good safety practices



WARNING denotes a specific potential hazard.



DANGER is the most serious specific potential hazard.



These signal words are used in conjunction with the safety-alert symbol.

FOLLOW SAFETY INSTRUCTIONS

Read owner/operator manual.
 Replace missing or damaged safety decals.
 Safety decals and this manual must be considered a permanent part of your **EdgeMaster™**.
 Keep your **EdgeMaster™** in proper repair. Safety decals, manuals and replacement parts are available through your BROWN dealer. Unauthorized modifications to the BROWN **EdgeMaster™** are not recommended. This could impair the function, safety, and machine life. For any part of this manual that you do not understand, contact your BROWN dealer.



OPERATE EDGER SAFELY

Do not let anyone operate edger without reading this manual.
Keep edging area clear of people and pets.
Wear protective clothing and eye and footwear.
Do not use edger unless all guards are in place.
Reduce ground speed on slopes, rough ground, and corners.
Operate edger from handle bar position only.
Disengage blade prior to starting engine.
Do not run engine indoors.
Do not put hands or feet near or under blade.
Do not touch muffler or other hot parts.
Do not lift edger when engine is running.
Do not leave edger unattended when engine is running.
Operate edger only in daylight.

WEAR PROTECTIVE CLOTHING

Wear close-fitting clothing appropriate for the job.
Wear a hearing protective device to protect from loud or uncomfortable noise.
Wear proper eye protection. Safety goggles are supplied with each **BROWN EdgeMaster™**.
Wear appropriate foot wear.
Wear gloves when changing or replacing blades.



HANDLE FUEL SAFELY

Fuel is highly flammable. Handle with care.

Stop engine before refueling.

Do not refuel while smoking or near open flames.

Always fill fuel tank outdoors.

Keep edger clean of oil, grease, and dirt.

Clean up spilled fuel immediately.

Never store machine where fumes may reach flame or spark.



AVOID INJURY FROM THROWN OBJECTS

Before operating edger:

Be sure all guards are in place.

Clear all objects and debris that may be thrown by blade from edging area.

Clear area of people and pets.



AVOID ROTATING BLADE

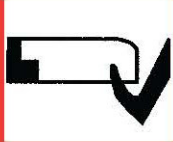

Be sure blade guard is in place.

Do not adjust curb depth while blade is turning.

Do not put hands or feet near blade while engine is running.

READ AND FOLLOW SAFETY SIGNS

⚠ WARNING
<p>HELP AVOID INJURY</p> <ul style="list-style-type: none"> Read owners manual Always wear eye protection Keep shields in place Keep others away
SD-003

⚠ DANGER			ROTATING BLADE STAY CLEAR
SD-004			

⚠ WARNING	⚠ ADVERTENCIA
	<p style="text-align: center;">PELIGRO DE PIEZA EN MOVIMIENTO</p> <p>Para precaverse de lesiones graves o de accidentes mortales que pueden producirse por las piezas en movimiento:</p> <ul style="list-style-type: none"> • Instalan y aseguren todos los resguardos y cubiertas antes de hacer arrancar la maquina. • Guarden las manos, los pies, el pelo y las ropas alejados de las piezas en movimiento. • Antes de hacer un ajuste o reparaci3n cualquiera, paren y echen el cerrojo al tomafuerza. • El subirse a la maquina cuando funciona est3 prohibido.
<p style="text-align: center;">MOVING PART HAZARD</p> <p>To prevent serious injury or death from moving parts:</p> <ul style="list-style-type: none"> • Close and secure guards and shields before starting. • Keep hand, feet, hair and clothing away from moving parts. • Disconnect and lockout power source before adjusting or servicing. • Do not stand or climb on machine when operating. 	⚠ AVERTISSEMENT
	<p style="text-align: center;">PIECE EN MOUVEMENT</p> <p>Dans le but de pr3venir les blessures graves ou la mort pouvant 3tre caus3es par les pi3ces en mouvement:</p> <ul style="list-style-type: none"> • Poser et fixer tous les gardes et capots avant de mettre la machine en marche. • Garder les mains, les pieds, les cheveux et les v3tements loin des pi3ces en mouvement. • Avant de proc3der 3 l'entretien ou au r3glage, d3sengager et verrouiller la prise de force. • Il est interdit de monter sur la machine quand elle est en marche.

OPERATING INSTRUCTIONS

NOTICE: NEW ENGINES SHIPPED WITH MACHINES ARE NOT SERVICED. ADD OIL TO CRANKCASE BEFORE STARTING.



WARNING: GASOLINE IS EXTREMELY FLAMMABLE AND IS EXPLOSIVE UNDER CERTAIN CONDITIONS.

NOTE: FOR FURTHER INFORMATION CONCERNING THE SAFETY, OPERATING, MAINTENANCE, ETC. OF THE PARTICULAR ENGINE SUPPLIED WITH YOUR BROWN EdgeMaster™, SEE THE ENGINE OWNER'S MANUAL THAT IS SUPPLIED TO YOU WITH THE EdgeMaster™.

BEFORE STARTING ENGINE

1. CHECK MACHINE

- A. Read and be familiar with equipment operating instructions.
- B. Be sure you have the proper blade for your edging purpose. The E-104H will accommodate blades up to 10" long. The blade must have a 1/2" arbor hole.
- C. Check blade retaining nut for tightness. Tighten blades hand tight with an eight inch wrench. Do not overtighten nut if an impact wrench is used.
- D. Be sure belt and pulleys are properly aligned and adjusted. Be sure belt stops are properly adjusted.
- E. Check blade guard for proper alignment and tightness.
- F. Check all other nuts and bolts for tightness.

2. CHECK ENGINE

- A. Read and be familiar with manufacturer's operating and safety instructions for engine.
- B. Check oil level and add if necessary. Do not over-fill.
- C. Check air filter and clean frequently.
- D. Use only clean fuel. Unleaded fuel is recommended in all engines.
- E. Be sure muffler and exhaust deflector are installed, are in proper position, and are in good operating condition.

3. START ENGINE

- A. Be sure belt tensioner is in disengaged position and that no tension is on the belt.
- B. Turn ignition to "ON" position.
- C. Close choke if engine is cold.
- D. Pull start cord rapidly.
- E. As the engine warms, gradually move the choke lever to the "OPEN" position.



WARNING: Do not operate the machine until area is cleared of people, pets, automobiles, etc. that might be damaged by projectiles.



WARNING! Do not operate machine without blade guard in place.



WARNING! Operator must wear eye protection when operating the Edge Master™. (Eye goggles are provided with each machine.)

4. ENGAGE BLADE / SET CUTTING DEPTH



CAUTION! Blade will begin to turn when the belt tensioner lever is moved forward.

- A. Move belt tensioner lever forward to tighten belt and set cutting depth.
- B. Insert locking pin into appropriate hole for desired cutting depth.

5. ADJUST CURB HEIGHT



CAUTION! adjust curb height before starting engine.

- A. Place left rear tire of edger on the curb.
- B. Loosen adjustment handle on front wheel assembly and right rear wheel assembly.
- C. Lift edger frame to level position by pushing the handle to the left until frame is level.
- D. Re-tighten wheel adjusting handles (The edger will work on curbs up to 10" high.)
- E. Proceed with operating procedures.

TROUBLESHOOTING

PROBLEM	CAUSE	SOLUTION
A. Engine does not start.	1. Engine switch in "OFF" position. 2. Engine flooded. 3. Out of fuel. 4. Spark plug wire loose or disconnected 5. Defective spark plug.	1. Switch to "ON" position. 2. Open choke completely. 3. Fill fuel tank. 4. Reconnect wire 5. Replace spark plug.
B. Other engine problems.	1. -----	1. See engine owner manual.
C. Burning belts.	1. Pulleys worn excessively. 2. Pulleys out of alignment.	1. Replace pulley 2. Realign pulley
D. Excessive vibration.	1. Blade bent or broken. 2. Blade bearings worn.	1. Replace blade. 2. Replace bearings

PAGE LEFT BLANK INTENTIONALLY

WARRANTY STATEMENT

LIMITED WARRANTY

BROWN PRODUCTS INC. hereby warrants that Brown's EdgeMaster™ products will be free from defects in material and workmanship under normal use according to the provisions and limitations herein set forth. All parts, specifically EXCLUDING expendable "wear" parts, that become unserviceable, due to defective material or workmanship, within one year / 12 months from date of the original retail purchase, shall, at Brown's option, be repaired or replaced.

LIMITATIONS

The obligations of Brown for breach of warranty shall be limited to products manufactured by Brown; (1) that are installed, operated, and maintained according to Brown's instruction furnished and/or available to the purchaser upon request; (2) that are installed according to all other applicable Federal, State, and Local codes or regulations; and (3) that the purchaser substantiates were defective in material and workmanship notwithstanding that they were properly installed and correctly maintained as set forth and were not abused or misused.

The obligation of Brown shall be limited to replacing or repairing the defective product, at the option of Brown. Brown shall not be responsible for any labor or cost of removal or repairing or re-installment of its products and shall not be liable for transportation costs to and from its plant in Midland City, Alabama.

Use of parts for modification or repair of the EdgeMaster™ or any component part thereof not authorized or manufactured by Brown specifically for the EdgeMaster™ shall void this warranty.

This warranty shall not apply to any damage to or caused by; (1) FORCE MAJEURE, Act of God, or other accident not related to an inherent product defect; or (2) abuse, misuse, or neglect of the EdgeMaster™, including any damage caused by improper assembly, installation, adjustment, or faulty instruction of the purchaser.

Other than as expressly set forth hereinabove, Brown makes no other warranty, express or implied, with respect to the EdgeMaster™, including but not limited to any merchantability or fitness for a particular purpose.

In no event shall Brown be responsible for any incidental or consequential damages of any nature suffered by purchaser or any other person or entity caused in whole or in part by the EdgeMaster™.

Any person or entity to whom this warranty extends and who claims breach of warranty against Brown must bring suit thereon within one year from the date of occurrence of such breach of warranty or be forever barred from any and all legal or other remedies for such breach of warranty.

PAGE 9

Brown is not responsible for and hereby disclaims any undertaking, representation, or warranty made by any dealer, distributor, or other person that is inconsistent with or in any way more expansive than the provisions of this limited warranty.

This warranty grants specific legal rights and shall be read in conformity with applicable state law. In some jurisdictions, the applicable law mandates warranty provisions that provide greater rights than those provided herein. In such case, this limited warranty shall be read to include such mandated provisions; and any provision herein that is prohibited or unenforceable in any such jurisdiction shall, as to such jurisdiction, be ineffective to the extent of such prohibition or un-enforceability without invalidating the remaining provisions and without affecting the validity of enforceability of such provisions in any other jurisdiction(s).

STATEMENT OF POLICY

In accordance with our established policy of constant improvement, we reserve the right to amend these specifications at any time without notice.

ENGINE WARRANTY

Warranty of all engines and engine parts is the sole responsibility of the particular engine manufacturer. See engine warranty in the engine manual. Engine problems must be checked and approved for warranty by an authorized engine manufacturer's service center. Brown Products Inc. is not an authorized service center for any engine manufacturer and accepts no responsibility for engine warranties, either expressed or implied.

WARRANTY BY MANUFACTURER

Dealer/distributor understands and agrees that the manufacturer extends only the following warranty to its customers. In the event dealer/distributor extends any additional warranty such as enlarging the scope or period of warranty or undertaking a warranty of fitness for any particular purpose or obligation not encompassed in manufacturer's warranty, dealer/distributor shall be solely responsible therefore and shall have no recourse against manufacturer with respect thereto.

EdgeMaster® Owner's Warranty Card

Name _____ Model _____

Address _____ Serial Number _____

City/State _____ Date Purchased _____

Phone _____ Dealer _____

E-Mail _____

IMPORTANT: TO PLACE THE BROWN WARRANTY INTO EFFECT, THIS WARRANTY CARD MUST BE COMPLETED AND MAILED WITHIN 30 DAYS AFTER RECEIVING THIS EQUIPMENT.



376 COUNTY ROAD 563
MIDLAND CITY, AL 36350

PAGE LEFT BLANK INTENTIONALLY

SERVICE

1. ENGINE SERVICE

- A. See owner's manual for service, maintenance requirements and procedures for engine.

2. EDGER SERVICE

- A. Check all nuts and bolts for proper tightness before initial operation and periodically thereafter.
- B. Check blade periodically. If worn excessively, replace.
- C. Check belt for wear. If necessary, replace.
- D. Check tension on belt and adjust if necessary.

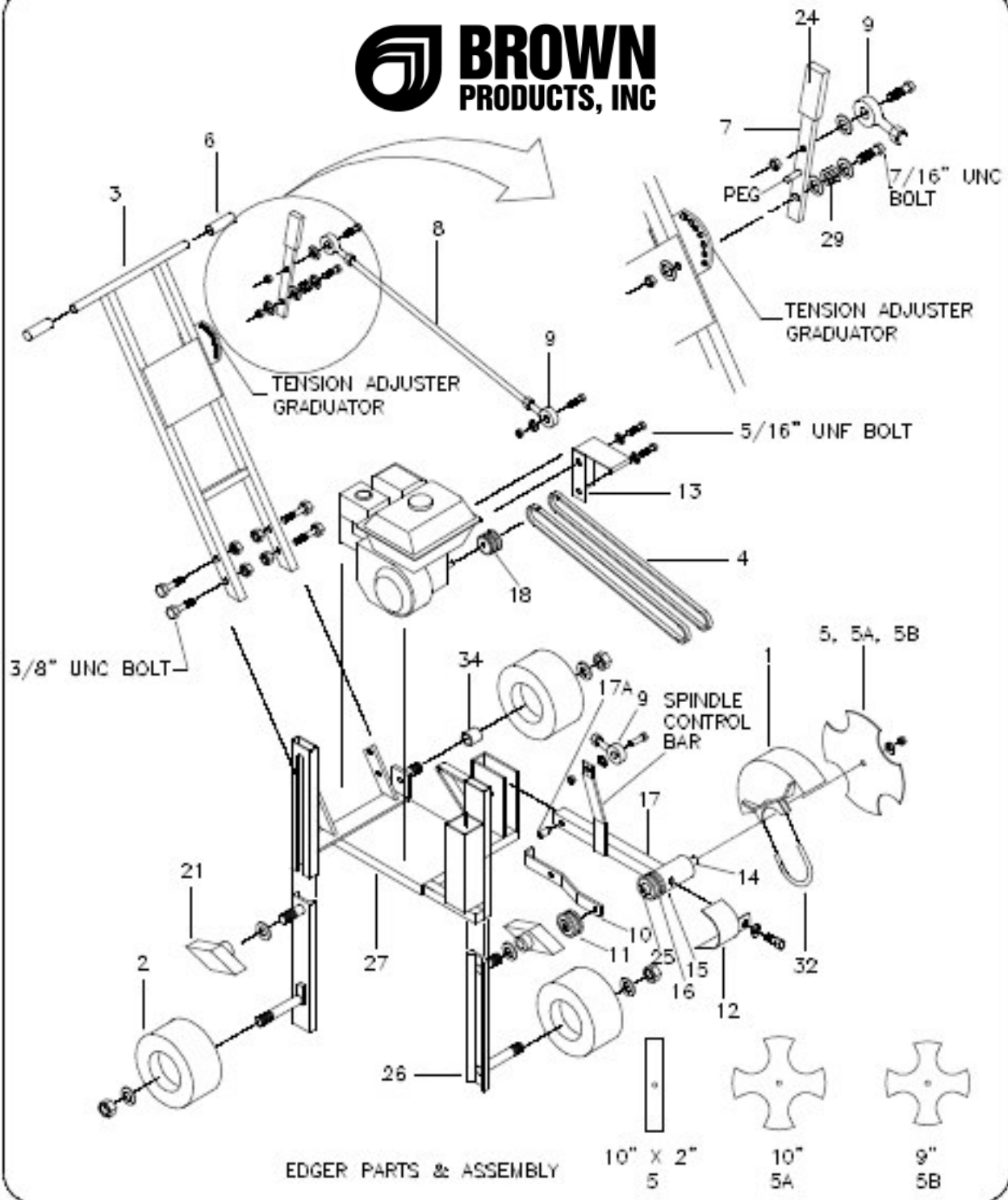


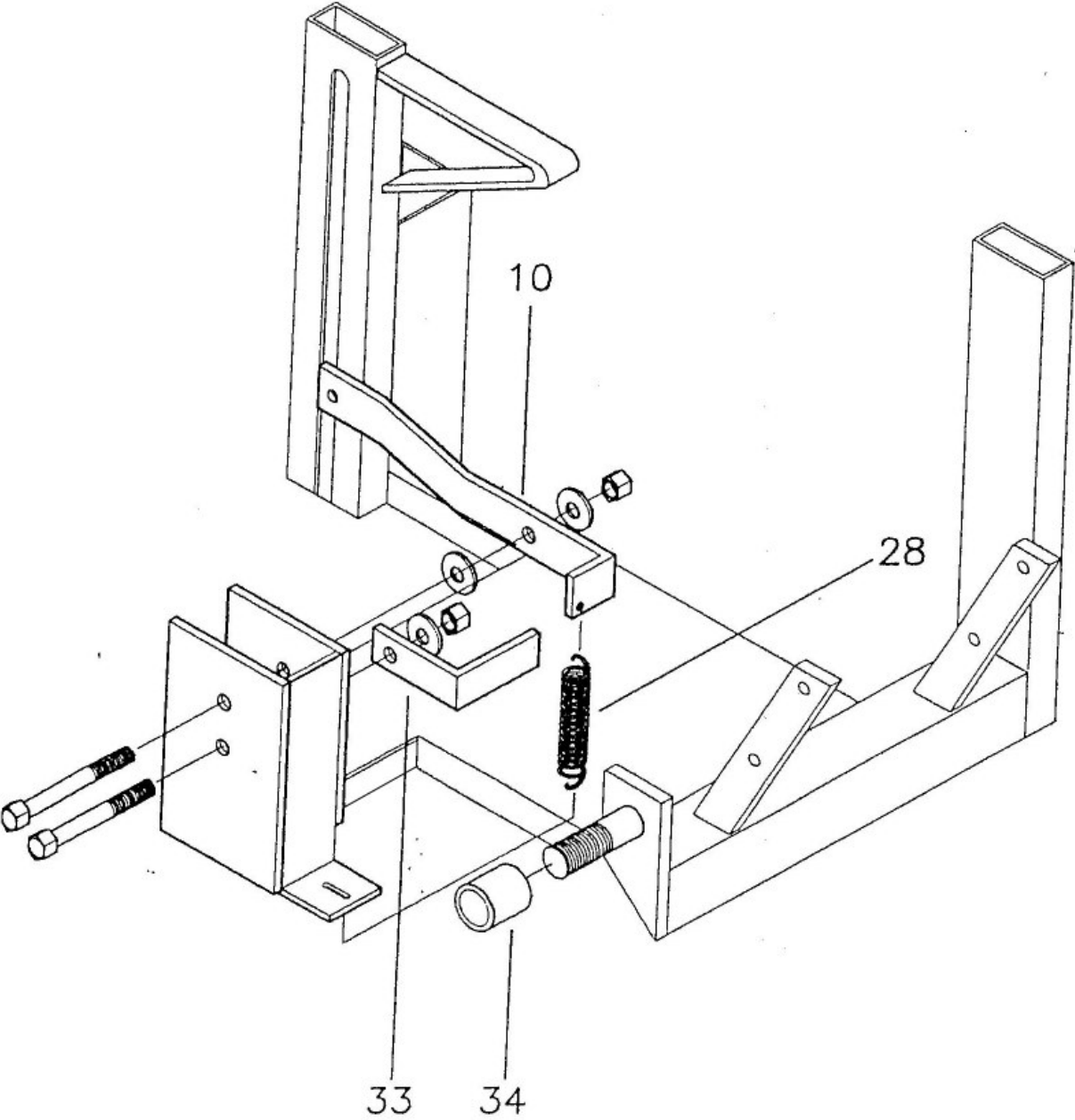
WARNING! MAKE CERTAIN THAT BLADE BOLT AND NUT ARE TIGHT AND IN GOOD CONDITION. INSPECT FREQUENTLY.

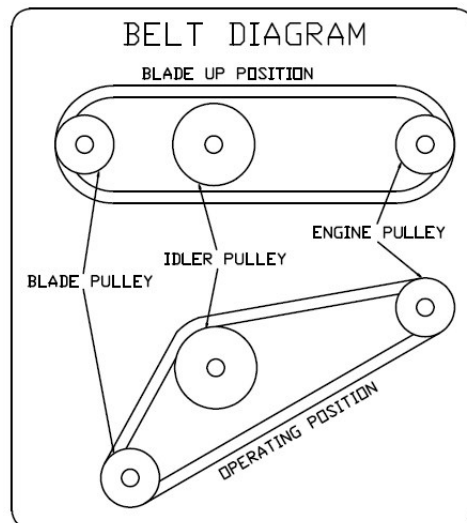
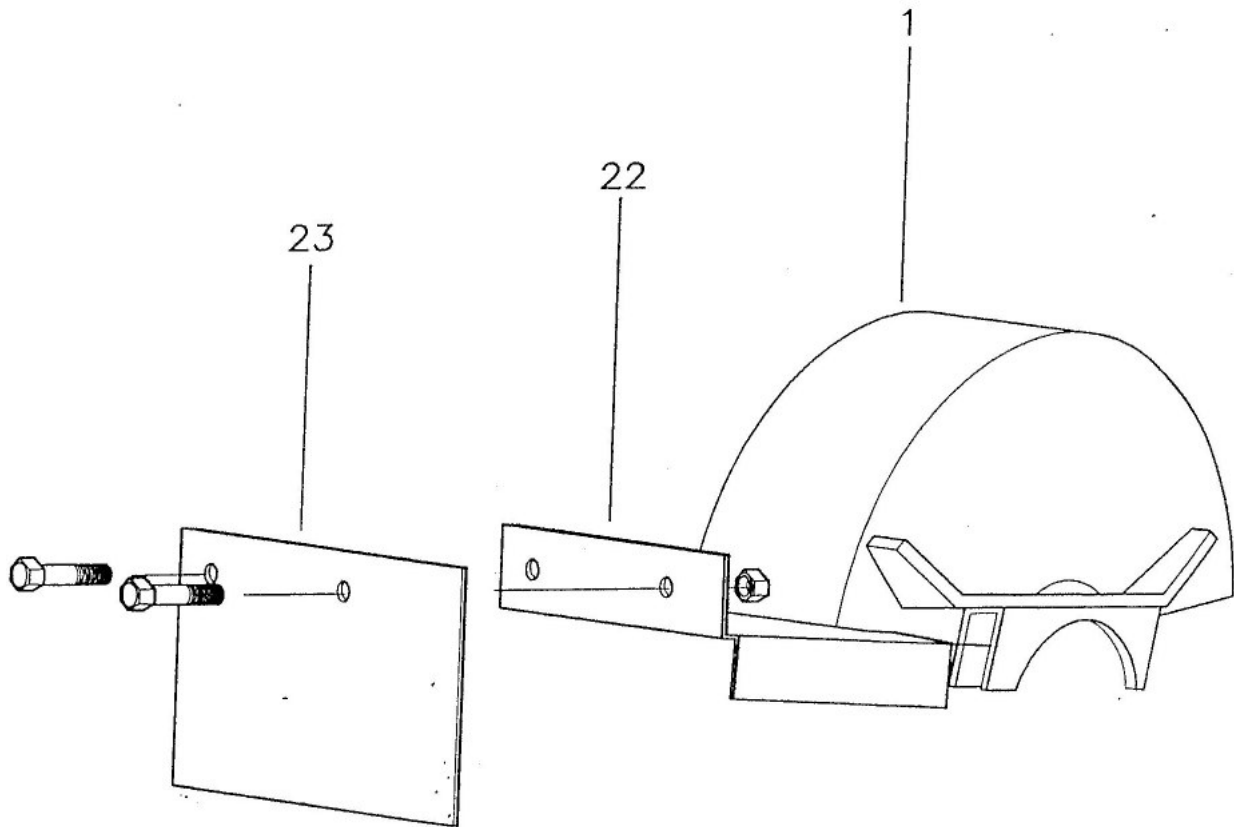
E-104H EdgeMaster™ PARTS LIST

REF. NO.	PART NO.	DESCRIPTION	NO. REQ.
1	E-100-001	GUARD, BLADE 10"	1
2	12-32A	TIRE AND WHEEL ASSY.	3
3	E-100-003	HANDLE ASSY.	1
4	E-200-002	BELT	2
5	E-100-005	BLADE, EDGER, 10"	1
5A	E200-029-10	BLADE, EDGER, 10" STAR	
5B	E200-029-09	BLADE, EDGER, 9" STAR	
6	12-02	HANDLE GRIP	2
7	E-100-007	LEVER, BELT TENSIONER	1
8	E-200-008	ROD, BELT TENSIONER CONTROL	1
9	E-100-009	ROD END	2
10	E-200-010	IDLER ARM	1
11	12-22-2	PULLEY, IDLER	1
12	E-100-012	BELT GUARD (FRONT)	1
13	E-200-013	BELT GUARD (REAR)	1
14	E-200-014	BLADE BOLT ASSY. (1/2" X 8 1/2" Gr. 8 w/ lock nut)	1
15	12-16	SPINDLE BEARING	2
16	780-09	PULLEY, SPINDLE	1
17	E-200-017	SPINDLE ARM	1
17A	E-200-018	BUSHING	1
18	701-02-2	PULLEY, ENGINE	1
NS	E-100-020	DECAL, WARNING	2
NS	E-100-021	DECAL, DANGER	1
21	E-200-023	WHEEL ADJUSTING HANDLE	2
23	E-20-025	RUBBER FLAP	1
24	E-100-026	HANDLE GRIP, LEVER	1
25	E-200-027	SPINDLE	1
26	E-100-031	INNER WHEEL SLIDE	2
27	E-200-032	FRAME	1
28	12-05	SPRING, IDLER ARM	1
29	E-100-036	SPRING, LEVER	1
NS	12-19	1/4" x 1 1/2" KEY, SPINDLE PULLEY	1
NS	E-100-038	3/16" x 1 1/4" KEY, ENGINE PULLEY	1
32	E-100-039	BLADE GUARD CLAMP	1

* NS = Not Shown







PAGE LEFT BLANK INTENTIONALLY

ASSEMBLY INSTRUCTIONS
EDGEMASTER MODEL E-104

Refer to references and drawing on pages 11 and 12.
Bolts, nuts and washers provided.

STEP 1 :

Bolt the handle (3) onto the frame using four 3/8" x 2" bolts and 3/8" nylon lock nuts.

STEP 2 :

Raise or lower the spindle arm assembly (17) until it is parallel to the ground. Place some object under the bearing housing to temporarily hold the housing assembly in place while attaching the belt tensioner control rod.

STEP 3 :

Install the belt tensioner control rod (8) by attaching the control rod end (9) through the 1/2" hole located on the belt tensioner lever (7) using a 7/16" x 1 1/2" bolt, 7/16" lock washer and 7/16" nylon lock nut. This 7/16" lock washer also serves as a spacer between the tensioner lever (7) and the control rod end (9). The control rod end (9) should be mounted onto the outer side of the handle.

STEP 4 :

Place the belt tensioner lever (7) in the uppermost position on the tensioner adjuster graduator.

STEP 5 :

Attach the lower lower control rod end (9) to the inner side of the spindle control bar using a 7/16" x 1 1/2" bolt, 7/16" lock washer and a 7/16" nylon lock nut. This 7/16" lock washer also serves as a spacer between the spindle control bar and the control rod end.

STEP 6 :

Adjustments may need to be made by turning the control rod ends to either lengthen or shorten the tensioner control rod as needed to maintain the spindle arm assembly in a near level position and to insure that the idler pulley is not touching the belts. Remove the object being used to maintain the spindle arm in a near level position, move the tensioner lever to the lowest position/hole on the tension adjuster graduator.

(Continued on next page)

PAGE 17

STEP 6 : (cont.)

Adjust the control rod ends as necessary to maintain the bottom of the front belt guard to be no less than 3/8" above the ground. (Be sure the idler pulley is still not touching the belts.) After adjustment, tighten the lock nuts on the rod ends and the bolts securing the rod ends to the machine.

STEP 7 :

Add unleaded gasoline and oil as directed in the engine manual. Read engine and EDGEMASTER operating instructions before operating.

PAGE LEFT BLANK INTENTIONALLY