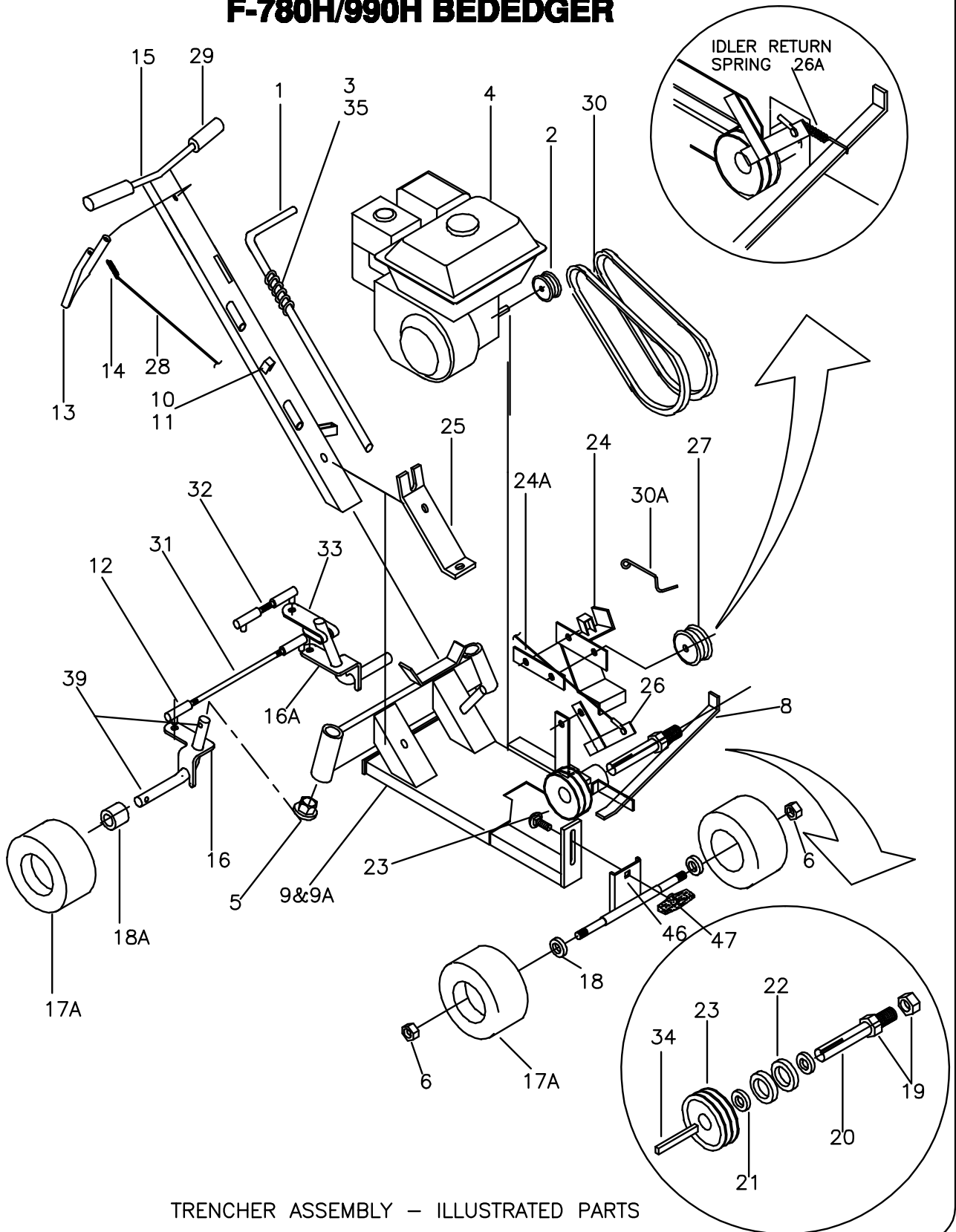
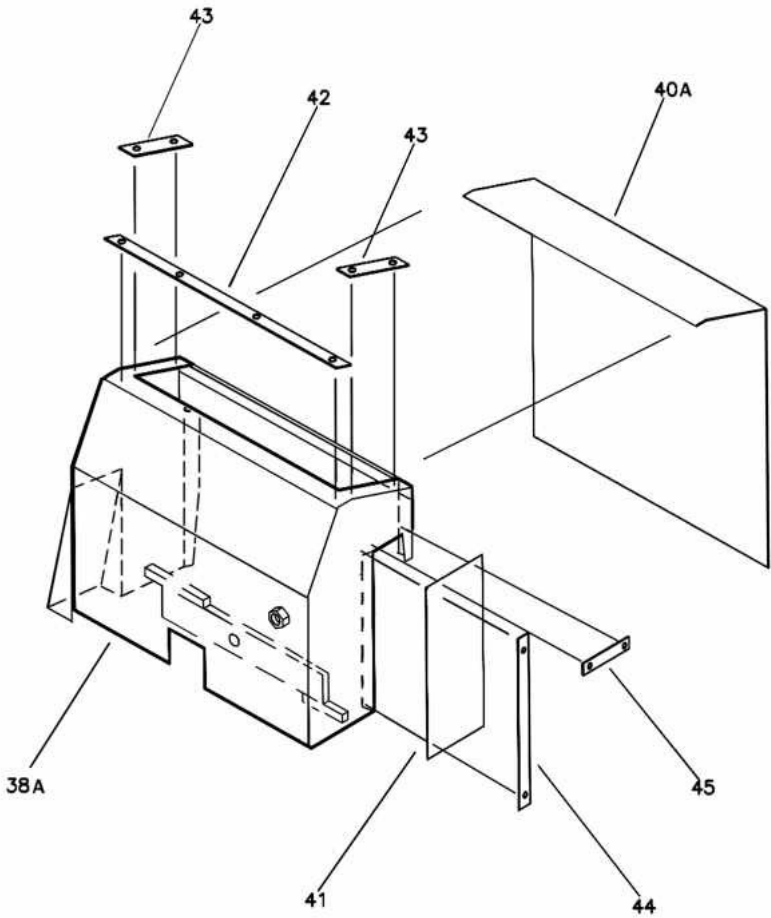


**F-780H/990H BEDEDGER**

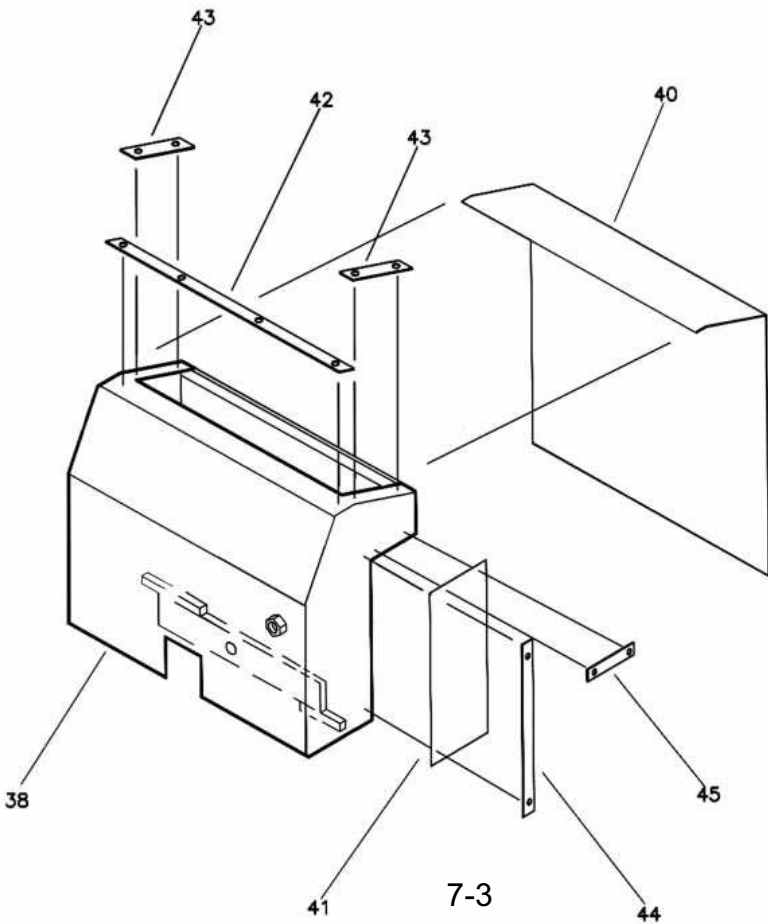


TRENCHER ASSEMBLY – ILLUSTRATED PARTS

**F-781H & F-991H TRENCHMASTER®  
Clay Hood Parts Drawings**



F-991H BEEDGER  
HOOD ASSEMBLY  
**37A**



F-781H BEEDGER  
HOOD ASSEMBLY  
**37**



**BROWN  
PRODUCTS, INC**

376 County Road 563 • Midland City, AL 36350  
Ph: 800-897-3726  
www.brownproducts.com

MODEL F-780H &  
F-990H BEDEDGER  
PARTS LIST

REF. NO.	PART NO.	DESCRIPTION	NO. REQ'D
1	780-08	STEERING LOCK ROD	1 EA
2	780-09	PULLEY, ENGINE, 1" BORE	1 EA
3	780-32	SPRING, LOCK HANDLE RETURN	1 EA
5	780-04	BUSHINGS, AXLE SPINDLE, NYLON	4 EA
6	701-06	STOVER LOCK NUT, 1/2" (FOR 12" AXLE BOLT)	1 EA
6	701-06A	STOVER LOCK NUT, 5/8" (FOR 703-10 HEIGHT ADJUSTER)	2 EA
7	702-52B	AXLE BOLT, 12" LONG (OLD STYLE)	1 EA
8	702-53	UPPER HOOD BRACE	1 EA
9	780-37A	FRAME ASSEMBLY (W/SPINDLE, BEARINGS & PULLEY)	1 EA
9A	*990-01	FRAME ASSEMBLY (W/SPINDLE, BEARINGS & PULLEY)	1 EA
10	12-09	SHEAVE PIN W/COTTER KEY	2 EA
11	12-08	CABLE SHEAVE	2 EA
12	780-03	BALL JOINTS	4 EA
13	702-12	CLUTCH LEVER	1 EA
14	701-24A	CLUTCH SPRING	1 EA
15	780-33	HANDLE	1 EA
16	780-01	AXLE, SPINDLE (RIGHT)	1 EA
16A	780-02	AXLE, SPINDLE (LEFT)	1 EA
17	702-50A	WHEEL, PNEUMATIC 1/2" BEARING (FRONT/OLD STYLE)	2 EA
17A	702-50C	WHEEL, PNEUMATIC, 5/8" BEARING	4 EA
18	702-27B	WHEEL BEARING, 5/8"	8 EA
18A	702-27	WHEEL NEARING, 1/2" (MODEL W/TUBES ON FRONT AXLE)	4 EA
19	12-14	NUT, ROTOR, 1" NC. GRADE 5	1 EA
20	702-57	SPINDLE, ROTOR, 1"	1 EA
21		LOCK COLLAR (INCLUDED W/#22)	
22	12-16	SPINDLE BEARING, ECCENTRIC, W/LOCK COLLAR	2 EA
23	702-59-2	ROTOR PULLEY, DOUBLE BELT	1 EA
24	780-34	BRACE, ENGINE TO HOOD & BELT STOP	1 EA
24A	780-34A	SPACER PLATE, ENGINE TO HOOD BRACE	1 EA
25	780-35	BRACE, HANDLE MOUNT	1 EA
26	780-36	IDLER ARM	1 EA
26A	701-23A	SPRING, IDLER ARM RETURN	1 EA
27	12-22-2	DOUBLE IDLER PULLEY	1 EA
28	780-07	CLUTCH CABLE W/CLEVIS & TURNBUCKLE	1 EA
29	701-25	HANDLE GRIP	2 EA
30	780-30	BELT	2 EA
30A	780-40	BELT STOP, WIRE	1 EA
31	780-06	STEERING TIE ROD	1 EA
32	780-11	STEERING CONNECTING ROD STUD	1 EA
33	780-05	STEERING CONTROL ARM	1 EA
34	12-19	KEY, ROTOR PULLEY, 1/4" X 1-1/2"	1 EA
35	780-31	PIN, ROLL, STEERING LOCK	1 EA
37	702-70	CLAY HOOD ASSEMBLY (COMPLETE FOR F-780H)	1 EA
37A	*990-02	CLAY HOOD ASSEMBLY (COMPLETE FOR F-990H)	1 EA
38	702-71A	CLAY HOOD (ONLY FOR F-780H)	1 EA
38A	*990-03	CLAY HOOD (ONLY FOR F-990H)	1 EA
40	702-73	RUBBER DRAPE (FOR F-780H)	1 EA
40A	*990-04	RUBBER DRAPE (FOR F-990H)	1 EA
41	702-74	RUBBER FLAP	1 EA
42	702-75	UPPER DRAPE STRAP	1 EA
43	702-76	END DRAPE STRAP	2 EA
44	702-77	VERTICAL FLAP STRAP	1 EA
45	702-78	HORIZONTAL FLAP STRAP	1 EA
46	703-10	HEIGHT ADJUSTER, FRONT WHEELS (NEW STYLE)	1 EA
47	991-10	HEIGHT ADJUSTER KNOB W/ 1/2" X 1-1/4" CARRIAGE BOLT	1 EA
	702-122	WRENCH, ROTOR NUT W/HANDLE	1 EA