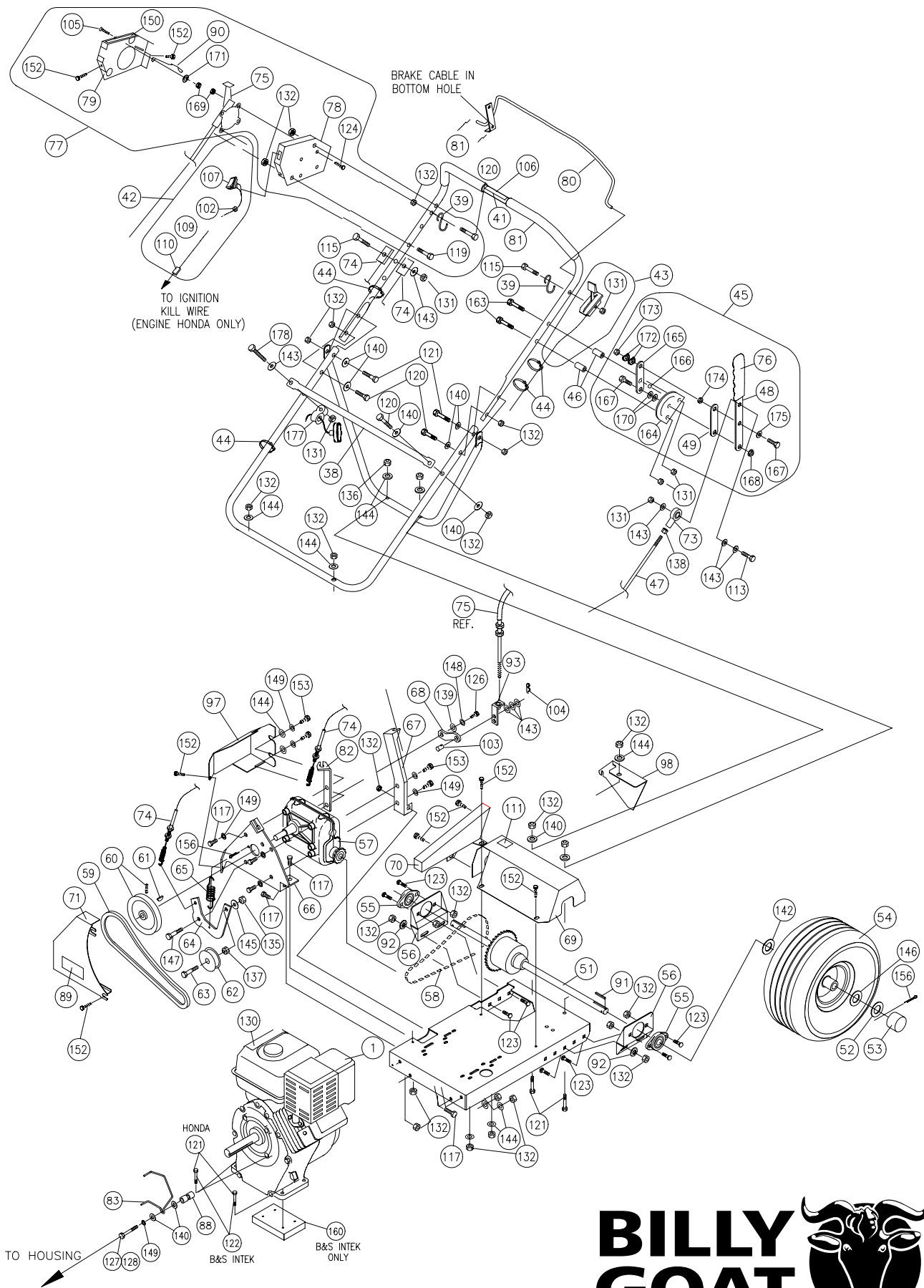


18 PARTS DRAWING

VQ802SPH, VQ1002SP



PARTS
LIST

ITEM	DESCRIPTION	VQ1002SP		VQ802SPH	
		PART NO.	QTY	PART NO.	QTY
1	ENGINE 10 HP INTEK B&S	430352	1	-	-
	ENGINE 8 HP HONDA	-	-	400937	1
2	ANGLE MOUNT HDLE WA	830126	1	830126	1
3	IMPELLER ASSY VQ (INCLUDES ITEM 4,5,6,7)	830244	1	830244	1
4	KEY 0.25 SQ. X 2.75"	9201125	1	9201125	1
5	WASHER LOCK 7/16 TWISTED TOOTH	850132	1	850132	1
6	SCREW CAP 7/16 NF x 2 1/4 GR8 TORQ 60 FT LBS (81.4 N.m)	830114	1	830114	1
7	SPACER ENGINE	830113	1	830113	1
8	CLIP LOCK	400591	1	400591	1
9	SCREW CAP 5/16 NF x 2 1/2 GRD. 8	830136	2	830136	2
10	HOUSING ASSEMBLY W/LABELS VQ	830153	1	830153	1
11	FRAME WA VQ	830171	1	830171	1
12	NOZZLE ASSEMBLY VQ	830010	1	830010	1
13	NOZZLE ASSY W/LABELS	830181	1	830181	1
14	CAP PLUG VQ	830232	1	830232	1
15	PLATE DOOR NOZZLE HOSE	830193	1	830193	1
16	ROD DIVERter VQ	830194	1	830194	1
17	GROMMET FLG. 1/2 MOLDED	830176	2	830176	2
18	BRKT BOGIE ASSY LH	830197	1	830197	1
19	BRKT BOGIE ASSY RH	830198	1	830198	1
20	BRKT BOGIE WA LH	830199	1	830199	1
21	BRKT BOGIE WA RH	830200	1	830200	1
22	ROLLER GUIDE	850204	2	850204	2
23	PIN ROLLER	850205	2	850205	2
24	WHEEL BOGIE 3"	850149	2	850149	2
25	SPACER 5/16 X 1 5/8	850150-03	2	850150-03	2
26	CASTER & BRKT LH ASSY SEMI-PNEU VQ	830540	1	830540	1
27	CASTER & BRKT RH ASSY SEMI-PNEUVQ	830541	1	830541	1
28	BRKT LH WA 8" CASTER	830147	1	830147	1
29	BRKT RH WA 8" CASTER	830148	1	830148	1
30	CASTER ASSY 8" SEMI-PNEU 3/4 NC (INCL ITEM 33 (4), 94, 95, 96, 125, 134)	830539	2	830539	2
31	KNOB HAND	850154	2	850154	2
32	NUT WING WA	800227	2	800227	2
33	WASHER 3/4 NYLON	800109	2	800109	2
34	ELBOW ASSY W/LABELS VQ	830159	1	830159	1
35	GASKET FLANGE TRANSITION VQ	830160	1	830160	1
36	HANDLE BRACE REAR	830162	1	830162	1
37	HANDLE LOWER VQ	830161	1	830161	1
38	TUBE HANDLE BAG SUPPORT	830163	1	830163	1
39	ROD BAG LOOP	800178	2	800178	2
40	CAP TUBE	800392	2	800392	2
41	HANDLE ASSY UPPER W/GRIP (39, 45, 46, 81, 114, 115, 131, 163)	890295	1	890295	1
42	SWITCH & WIRE ASSY (ITEMS 107, 109, 110)	-	-	830242	1
43	CONTROL THROTTLE ASSY VQ SERVICE	900514-00	1	830132	1
44	CLAMP CABLE 1"	900813	4	900813	4
45	DOOR NOZZLE FRICTION ASSY	830288	1	830288	1
46	SPACER	850198	2	850198	2
47	ROD DOOR NOZZLE	830286	1	830286	1
48	BAR LEVER DOOR	850189	1	850189	1
49	PLATE FRICTION LIFT	850191	1	850191	1
50	BAG ASSY VQ / TURF BAG 830282	830320	1	830320	1
51	AXLE REAR WA PUSH	-	-	-	-
	DIFFERENTIAL ASSY / SPROCK. ONLY 830021	830014	1	830014	1
52	WASHER HUB CAP	850237	2	850237	2
53	CAP HUB	900486	2	900486	2
54	WHEEL 13" x 6.5" PNEU. SP	830177	2	830177	2
55	BRG ASSY VQSP	850232	2	850232	2
56	BRKT MOUNT BEARING	830530	2	830530	2
57	TRANSMISSION 5 SPEED 1 REV W/BRAKE (TECUMSEH)	830179	1	830179	1
58	CHAIN #41 x 68P VQSP	830020	1	830020	1
59	BELT "V" 4L x 34" OUTSIDE LG.	830223	1	830223	1
60	PULLEY 5.0 DIA. A SEC 0.625 ID	830180	1	830180	1
61	KEY HIPRO 3/16 X 3/4	850234	1	850234	1
62	PULLEY IDLER	800260	1	800260	1
63	BOLT IDLER	800888	1	800888	1
64	ARM IDLER WA VQ	830527	1	830527	1
65	SPRING	400217	1	400217	1

19 PARTS LIST

Continued

ITEM	DESCRIPTION	VQ1002SP		VQ802SPH	
		PART NO.	QTY	PART NO.	QTY
66	BRKT TRANSMISSION WA VQ	830222	1	830222	1
67	BRKT TRANSMISSION REAR WELD LONG	830520	1	830520	1
68	BAR LINK SHIFT OFFSET VQ	830508	1	830508	1
69	GUARD DIFFERENTIAL VQ WELD	830253	1	830253	1
70	GUARD CHAIN VQ WELD	830254	1	830254	1
71	GUARD PULLEY W/LABEL	830252	1	830252	1
72	SPACER 3/4" x 0.421"	830537	4	830537	4
73	ROD END BALL JOINT 5/16 NF	400873	2	400873	2
74	CABLE CLUTCH ASSY	830210	2	830210	2
75	CONTROL SHIFT	830504	1	830504	1
76	GRIP	850190	1	850190	1
77	CONTROL ASSY VQSP	830518	1	830519	1
78	BRACKET CONTROL SHIFT	830505	1	830505	1
79	COVER CONTROL SHIFT	830506	1	830506	1
80	ROD BAIL CLUTCH	830235	1	830235	1
81	GRIP HANDLE 1" x 16"	830166	2	830166	2
82	BAR BRAKE CABLE MOUNT	830225	1	830225	1
83	WIRE BELT GUIDE VQ	830133	1	830133	1
84	GRIP RING	400340	1	400340	1
85	SPRING COMPRESSION	400332	1	400332	1
86	SPACER	400330	1	400330	1
87	SPRING DOOR	890142	1	890142	1
88	SPACER			830134	2
89	LABEL DANGER GUARDS	900327	1	900327	1
90	WIRE STOP GEAR SELECTOR	830507	1	830507	1
91	KEY SQ 3/16 X 1 3/4	9201084	2	9201084	2
92	WASHER 5/16 TWISTED TOOTH	800177	4	800177	4
93	CLIP ASSY GEAR SELECTOR	830512	1	830512	1
94	FORK CASTER 8" 3/4 NC	830142	2	830142	2
95	WHEEL & TIRE ASSY 8",3/4" BRG. (SEMI- PNEU)	830538	2	830538	2
96	SPACER SPANNER	830144	2	830144	2
97	GUARD BRAKE VQ	830227	1	830227	1
98	GUARD BELT VQ	830228	1	830228	1
99	LABEL DIVERTER INSTRUCTIONS	830196	1	830196	1
100	LABEL DANGER	400424	2	400424	2
101	LABEL DANGER FLYING MATERIAL	810736	2	810736	2
102	GROMMETT	-	-	830515	1
103	PIN CLEVIS	830513	1	830513	1
104	PIN HAIR	900471	1	900471	1
105	SCREW MACH FLAT HD PHILLIP #10-24 X 1/2	830514	1	830514	1
106	LABEL CLUTCH VQ	830503	1	830503	1
107	SWITCH ROCKER	-	-	500281	1
108	CABLE ASSY SWITCH GROUND			400786	1
109	CABLE ASSY SWITCH	-	-	830278	1
110	CONNECTOR TAP	-	-	810673	1
111	LABEL OIL	830502	1	830502	1
112	LABEL ON OFF (CUT TO MAKE)	-	-	830276	1
113	SCREW CAP 1/4-20 x 1 1/4"	*8041007	2	*8041007	2
114					
115	SCREW CAP 1/4-20 x 2"	*8041010	2	*8041010	2
116	SCREW CAP MACH 10-18X3/4 WF ZP	*8059136	2	*8059136	2
117	SCREW CAP 5/16-18 x 3/4"	*8041026	14	*8041026	14
118	PLATE DEBRIS DEFLECTOR	830279	1	830279	1
119	SCREW CAP 5/16-18 x 1 1/4"	*8041029	3	*8041029	3
120	SCREW CAP 5/16-18 x 1 1/2"	*8041030	2	*8041030	2
121	SCREW CAP 5/16-18 x 1 3/4"	*8041031	8	*8041031	12
122	SCREW CAP 5/16-18 x 2 1/2"	*8041034	6	*8041034	2
123	BOLT CARRIAGE 5/16-18 X 3/4	*8024039	8	*8024039	8
124	SCREW #10-24NC X 5/8 HEX	*8059135	4	*8059135	4
125	SCREW CAP 1/2-10 x 4 1/2"	*8041107	2	*8041107	2
126	SCREW CAP 1/4 NF x 1/2 GR. 5"	850408	1	850408	1
127	SCREW CAP 5/16 NF x 3/4"	*8042026	1	-	-
128	SCREW CAP 5/16 NF x 1 1/2"	-	-	*8042030	1
129					
130	LABEL DO NOT FILL WHEN ENGINE IS HOT	400268	1	400268	1
131	NUT LOCK 1/4 NC	*8160001	8	*8160001	8
132	NUT LOCK 5/16 NC	*8160002	49	*8160002	49
133	NUT LOCK 3/8 NC	*8160003	4	*8160003	4
134	NUT LOCK 1/2 NC	*8160005	2	*8160005	2
135	NUT LOCK 3/8 NC THIN HT.	*8161042	1	*8161042	1

19 PARTS LIST
Continued

ITEM	DESCRIPTION	VQ1002SP PART NO.	QTY	VQ802SPH PART NO.	QTY
138	NUT REG. 5/16 NF	*8149002	2	*8149002	2
139	WASHER SAE 1/4	*8172007	1	*8172007	1
140	WASHER SAE 5/16	*8172008	19	*8172008	19
141	WASHER SAE 3/8	*8172009	1	*8172009	1
142	WASHER SAE 3/4	*8172015	2	*8172015	2
143	WASHER FLAT CUT 1/4	*8171002	18	*8171002	18
144	WASHER FLAT CUT 5/16	*8171003	31	*8171003	31
145	WASHER FLAT CUT 3/8	*8171004	9	*8171004	9
146	WASHER 3/4 (0.765 x 1.25 x 0.06)	850238	2	850238	2
147	BOLT SHOULDER 3/8 X 1/2	830528	1	830528	1
148	WASHER LOCK 1/4	*8177010	1	*8177010	1
149	WASHER LOCK 5/16	*8177011	8	*8177011	9
150	LABEL SPEED CONTROL (CUT TO MAKE)	830237	1	830237	1
151	SCREW MACH #10-24 x 2"	*8059143	2	*8059143	2
152	SCREW SHT. MTL 1/4 AB x 3/4	*8122082	11	*8122082	11
153	SCREW SELF-TAP 5/16 NC x 3/4 HEX	*8123128	4	*8123128	4
154	PIN ROLL 1/8 x 3/4	*8195100	1	*8195100	1
155	PIN COTTER 3/32 x 3/4	*8197016	2	*8197016	2
156	PIN COTTER 1/8 x 1"	*8197031	3	*8197031	3
157	SCREW CAP 5/16-18 x 2 3/4	*8041035	5	*8041035	1
158	LOOSE PARTS BAG ASSY VQ	830204	1	830204	1
159	LABEL DANGER INSTRUCTIONS	830138	1	830138	1
160	SPACER ENGINE INTEK	430353	1	-	-
161	SPACER	900724	1	900724	1
162	DEFLECTOR DEBRIS ASSY	830280	1	830280	1
163	SCREW CAP 1/4-20 x 2"	*8041010	2	*8041010	2
164	PLATE QUAD LIFT	850192	1	850192	1
165	PLATE CLAMP LIFT	850193	1	850193	1
166	BALL 1/4"	850194	1	850194	1
167	SCREW CAP 1/4-28 x 1"	*8042006	2	*8042006	2
168	NUT 1/4-20 WASHER FACE	900455	1	900455	1
169	NUT LOCK #10-24 NC LT	*8164005	5	*8164005	5
170	WASHER 1/4 FLAT CUT	*8171002	2	*8171002	2
171	WASHER #10 FLAT SAE	*8172005	1	*8172005	1
172	WASHER - BELVILLE 1/4"	850207	2	850207	2
173	NUT LOCK 1/4-28	*8161001	1	*8161001	1
174	NUT JAM 1/4-28	*8150001	1	*8150001	1
175	WASHER LOCK - EXT 1/4	*8181007	1	*8181007	1
176					
177	GUIDE STARTER ROPE	830533	2	830533	2
178	SCREW CAP 1/4 - 20 x 2 1/4	*8041011	1	*8041011	1
179					
180	LABEL EAR EYE BREATHING	890254	1	890254	1
181	LABEL READ OWNER'S MANUAL	890301	1	890301	1

19 Switch & Wire Assembly Parts List (Honda SP only)			
107	Switch Toggle 6A/125V	830239	1
108	Cable Ass'y Switch Ground	400278	1
109	Cable Ass'y Switch VQ	830278	1
110	Connector-Tap in Squeeze	810673	1
E-1	Wire to Engine Stop Switch	----	--

* Denotes standard hardware item that may be purchased locally.

B1	Black
Y	Yellow
G	Green

