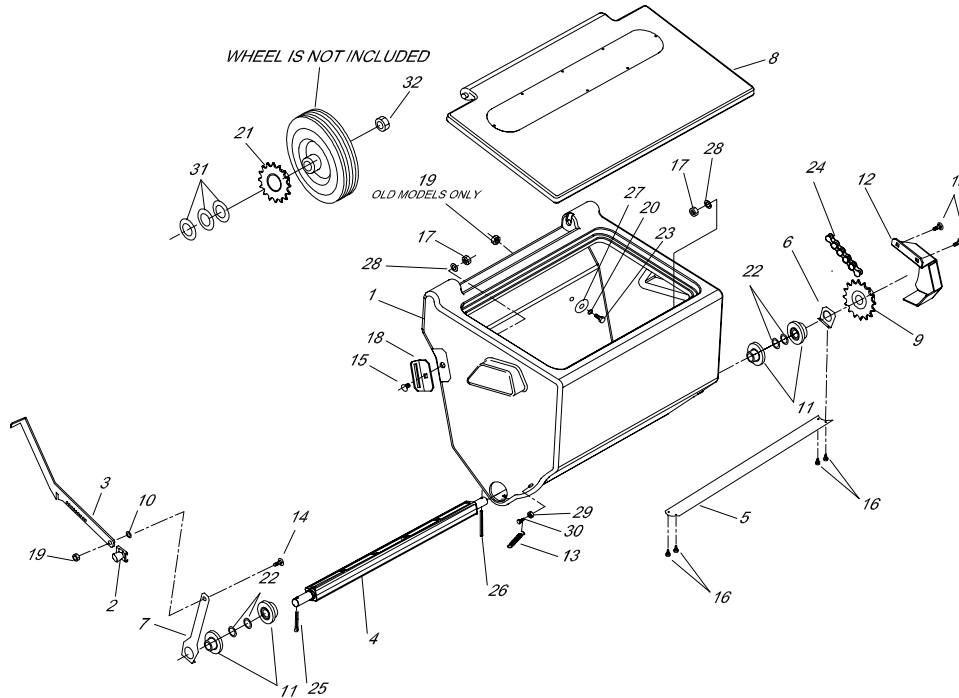


POWER RAKE SEEDER BOX KIT

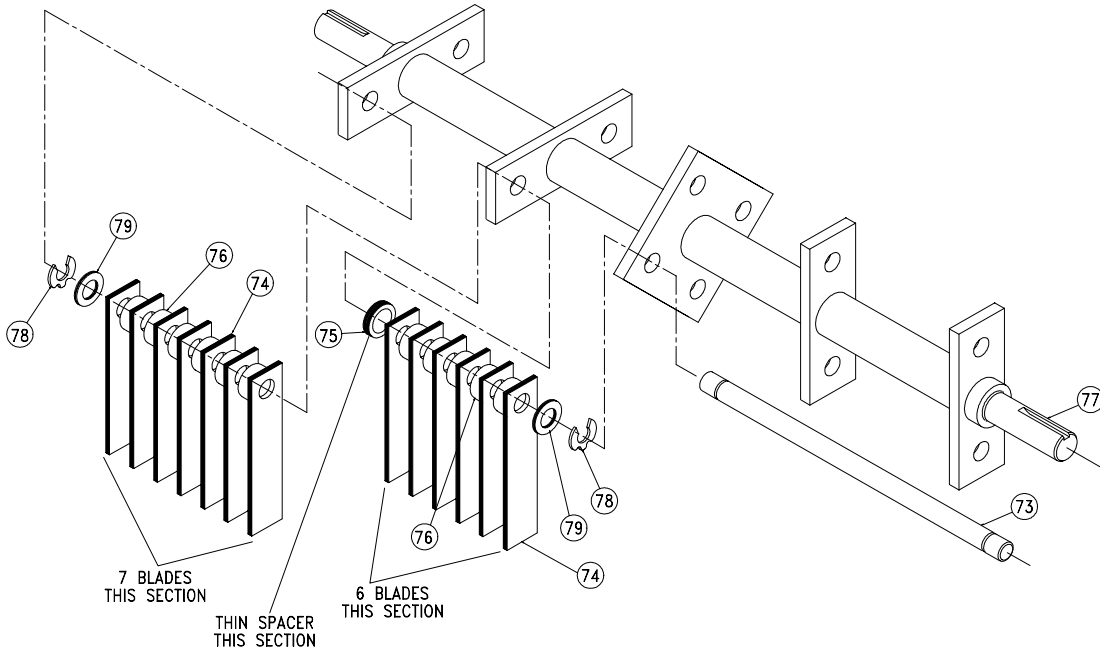
P/N 350325

PARTS DRAWING



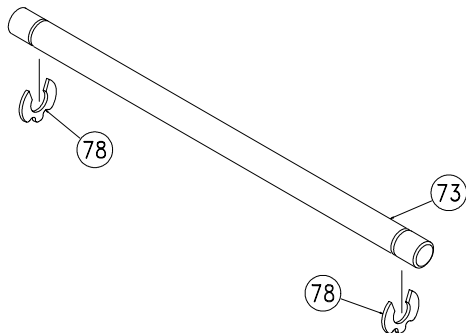
PARTS LIST			
ITEM NO.	PART NO.	DESCRIPTION	QTY
1	350321	BOX PLASTIC DROP SEEDER MAIN BODY	1
2	350306	BRACKET ADJ DROP SEEDER ASSY	1
3	350276	BAR DOOR LINKGAGE	1
4	350320	SHAFT PLASTIC DROOP SEEDER	1
5	350271	PLATE DOOR DROP SEEDER	1
6	350272	PLATE DOOR DROP SEEDER END	1
7	350273	PLATE DOOR DROP SEEDER ARM	1
8	350322	BOX PLASTIC DROP SEEDER LID ASSEMBLY	1
9	350319	SPROCKET 16T #43 0.625 BORE	1
10	8171003	WASHER 5/16 FLAT CUT	1
11	900321	BEARING CLIP 1.375 OD	4
12	350335	GUARD SPROCKET	1
13	400217	SPRING TENSION	2
14	8024040	BOLT CARRAIGE 5/16 - 18 X 1	1
15	8024021	BOLT CARRIAGE 1/4-20 X 3/4"	1
16	350286	SCREW SHEET METAL	4
17	8160001	NUT LOCK 1/4	1
18	350332	BRACKET SLOT PLASTIC SEEDER BOX	1
19	8160002	NUT LOCK 5/16	1
21	350318	SPROCKET WHEEL 16T	1
22	350280	WASHER 0.906 OD X 0.656 ID	4
24	350329	CHAIN 35 PITCH	1
25	8197031	PIN COTTER 1/8" X 1"	1
26	350331	ROLL PIN 1/8 - 1 3/4	1
28	8172007	WASHER 1/4 SAE	1
29	8154007	NUT HEX 10-24	2
30	8059136	SCREWCAP #10-24 X 3/4	2
PARTS BAG SEEDER BOX KIT			
15	8024021	BOLT CARRIAGE 1/4-20 X 3/4"	2
17	8160001	NUT LOCK 1/4	2
19	8160002	NUT LOCK 5/16 (REQUIRE ON THE OLD MODELS ONLY)	4
20	8177011	WASHER LOCK 5/16	4
23	8041026	SCREWCAP 5/16-18 x 3/4	4
27	8172020	WASHER 5/16 FENDER	4
28	8172007	WASHER 1/4 SAE	2
31	8171006	WASHER 1/2 FC	3
32	8161044	NUT LOCK 1/2" THIN HGT	1
-	350327	LIT SEEDER BOX (INCLUDES TEMPLATE)	1

FLAIL REEL ASSY 350112



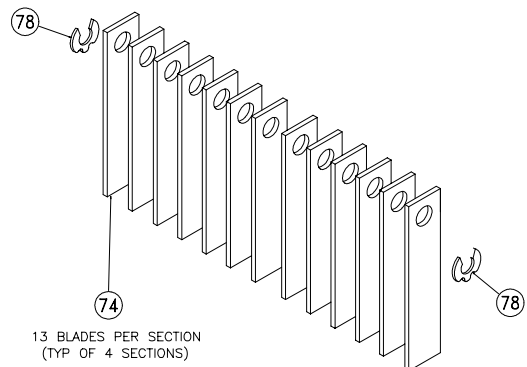
item no.	PARTS LIST	PR500 Part No.	QTY
73	SHAFT FLAIL BLADE	350141	4
74	BLADE FLAIL	350100	52
75	SPACER BUMPER 5/8" x 1/4"	350143	4
76	SPACER BUMPER 5/8" x 1/2"	350144	44
77	SHAFT WA FLAIL REEL	350145	1
78	CLIP LOCK 1/2"	350146	8
79	WASHER 1/2 SAE	8172011	8

FLAIL SHAFT KIT 350185



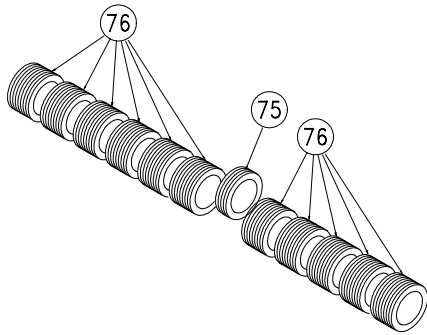
item no.	PARTS LIST	Part No.	QTY
73	SHAFT FLAIL BLADE	350141	4
78	CLIP LOCK 1/2"	350146	8

FLAIL BLADE KIT 350186



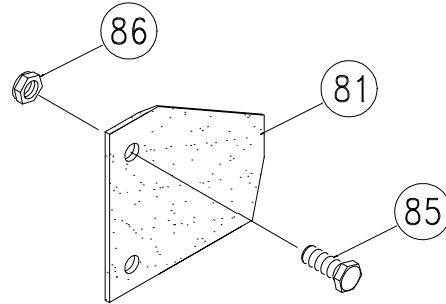
item no.	PARTS LIST	Part No.	QTY
74	BLADE FLAIL	350100	52
78	CLIP LOCK 1/2"	350146	8

SPACER BUMPER KIT 350258



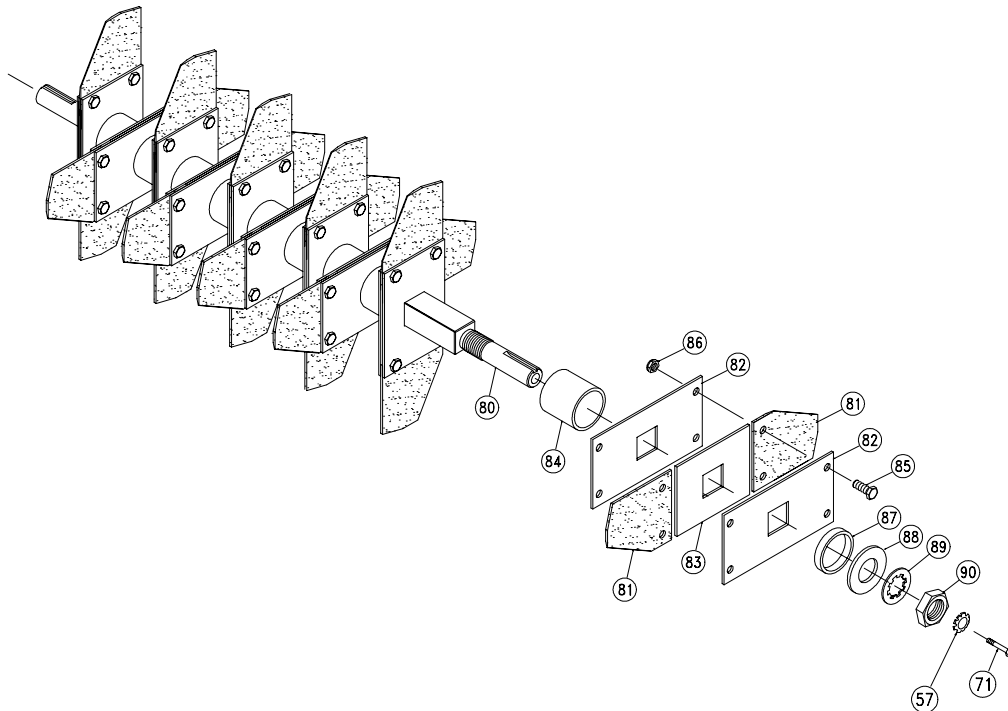
item no.	PARTS LIST	PR500 Part No.	QTY
75	SPACER BUMPER 5/8" x 1/4"	350143	4
76	SPACER BUMPER 5/8" x 1/2"	350144	44

SLICING BLADE KIT 350187



item no.	PARTS LIST	PR500 Part No.	QTY
81	BLADE SLICING REEL	350147	20
85	SCREWCAP 1/4-20 x 3/4, GR. 5	350151	40
86	NUT LOCK 1/4-20	8142004	40

SLICING REEL ASSY 350113



item no.	PARTS LIST	PR500 Part No.	QTY
57	LOCK WASHER 5/16 TWISTED TOOTH	800177	1
71	SCREWCAP 5/16 - 24 x 1" HCS GR. 5	400164	1
80	SHAFT SLICING WA	350142	1
81	BLADE SLICING REEL	350147	20
82	PLATE BLADE MTG.	350148	20
83	SPACER BLADE MTG.	350149	10
84	SPACER BLADE ASSY	350150	9
85	SCREWCAP 1/4-20 x 3/4, GR. 5	350151	40
86	NUT LOCK 1/4-20	8142004	40
87	COLLAR SPACER	350152	1
88	WASHER 0.937 x 1.750 x 0.119	350153	1
89	WASHER LOCK 7/8 INT. TOOTH	350154	1
90	NUT JAM 7/8-14	350155	1

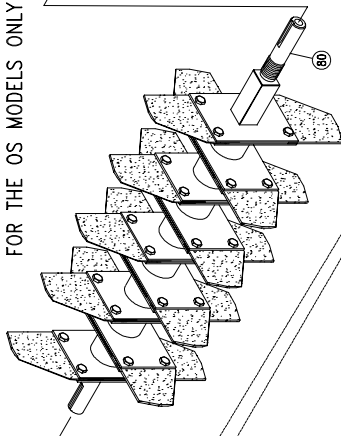


BILLY GOAT

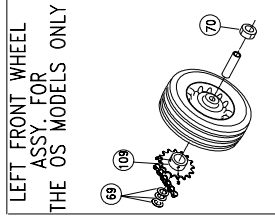
18 PARTS DRAWING

**PR550, PR550V, PR550H
PR550HV, OS551, OS551H**

SEEDER BOX ASSEMBLY IS
FOR THE OS MODELS ONLY

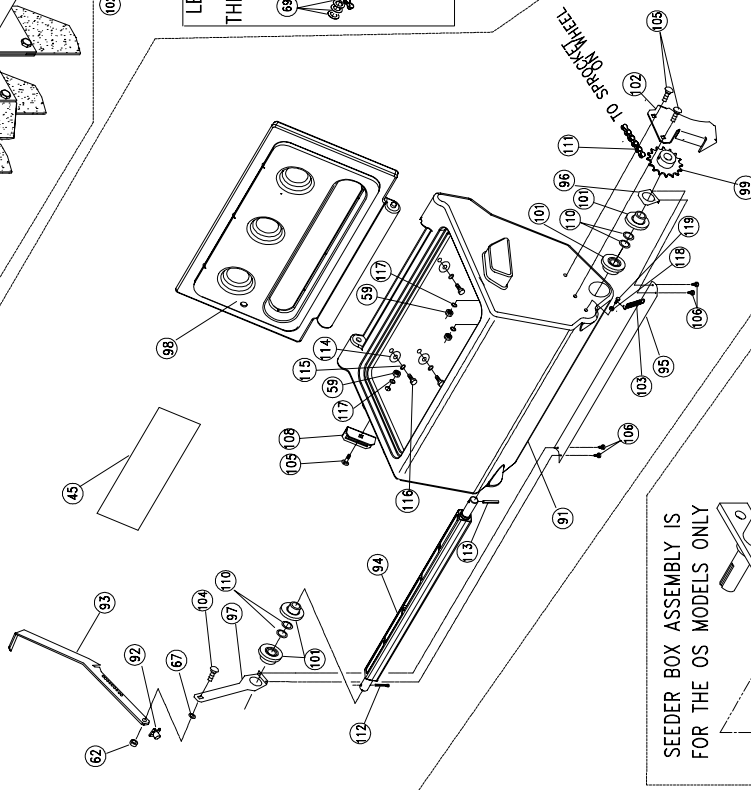


FOR THE OS MODELS ONLY

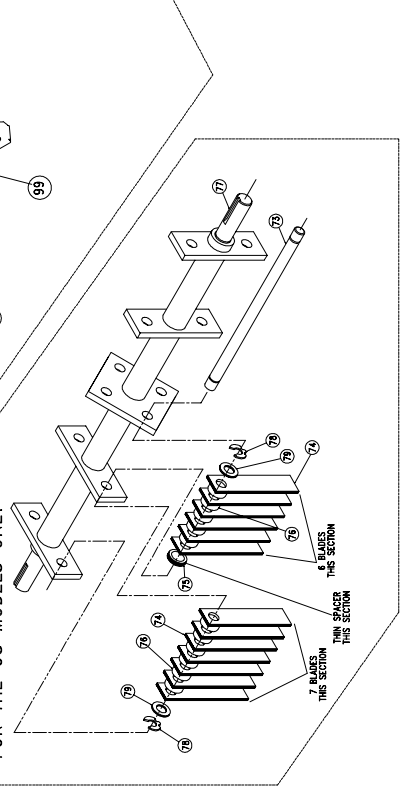


LEFT FRONT WHEEL
ASSY. FOR
THE OS MODELS ONLY

SEEDER BOX ASSEMBLY IS
FOR THE OS MODELS ONLY



SEEDER BOX ASSEMBLY IS
FOR THE OS MODELS ONLY



OS MODELS
PR MODELS
SEE PAGE 10 FOR PARTS LIST
FOR SLICING AND FLAIL REEL

