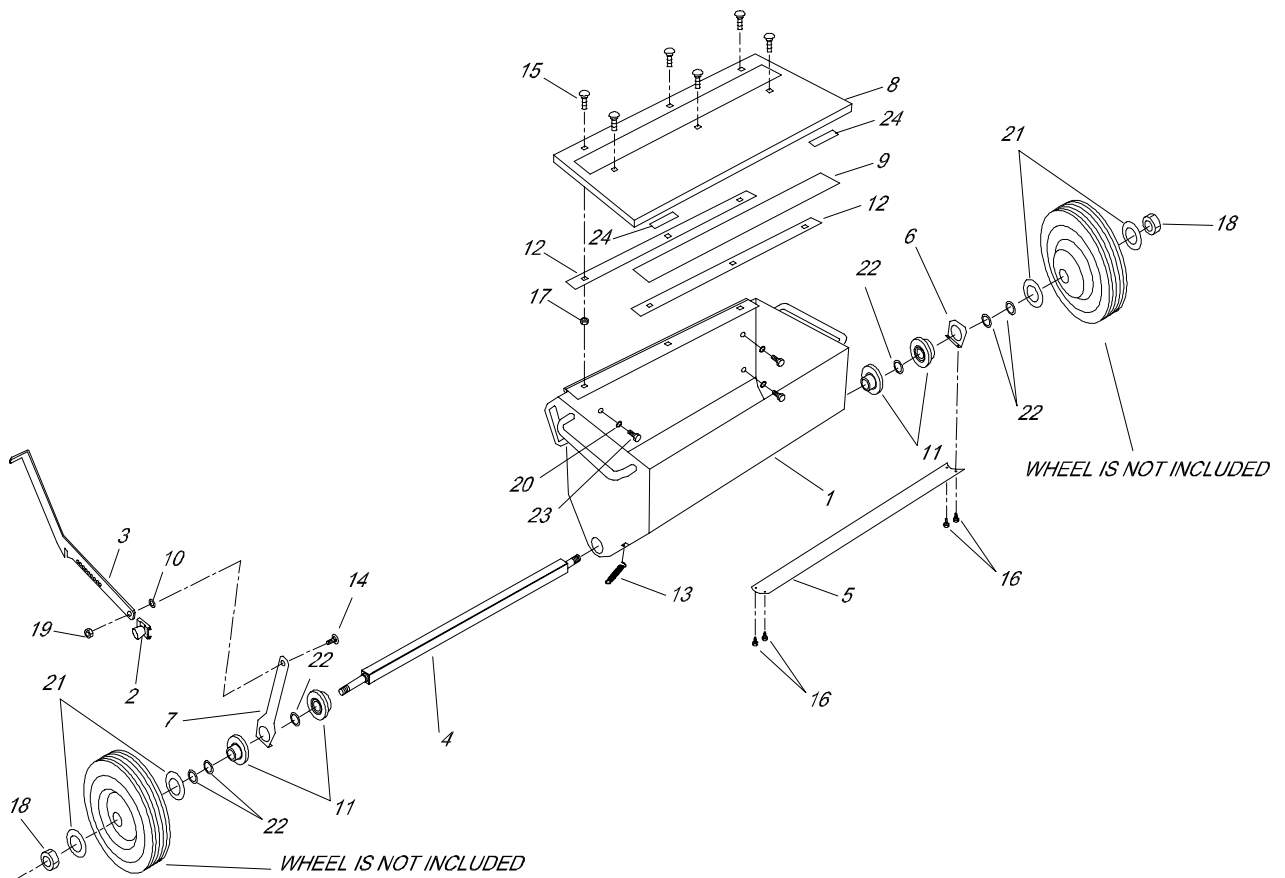


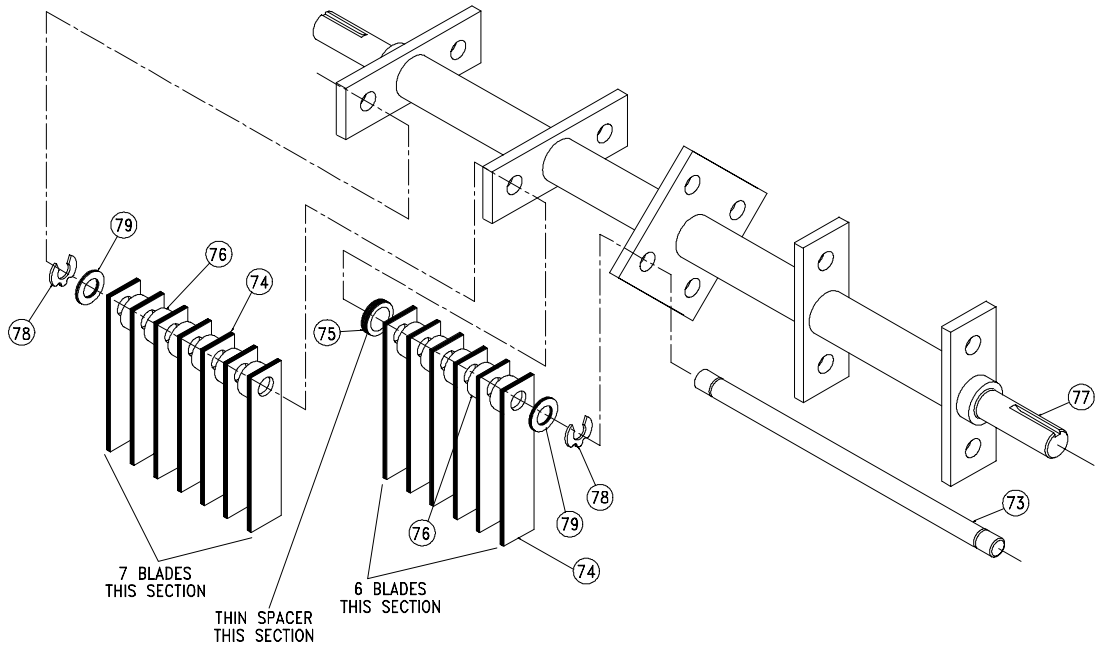
POWER RAKE SEEDER BOX KIT

P/N 350281



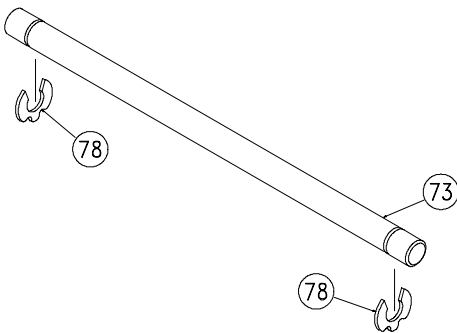
PARTS LIST			
ITEM NO.	PART NO.	DESCRIPTION	QTY
1	350287	BOX DROP SEEDER WA	1
2	350306	BRACKET ADJ DROP SEEDER ASSY	1
3	350276	BAR DOOR LINKGAGE	1
4	350270	SHAFT DROP SEEDER	1
5	350271	PLATE DOOR DROP SEEDER	1
6	350272	PLATE DOOR DROP SEEDER END	1
7	350273	PLATE DOOR DROP SEEDER ARM	1
8	350274	BRACKET LID SEEDER BOX	1
9	350275	COVER CLEAR PLASTIC 19.5 X 3	1
10	8171003	WASHER 5/16 FLAT CUT	1
11	900321	BEARING CLIP 1.375 OD	4
12	510144	PLATE MOUNT FLAPPER	2
13	400217	SPRING TENSION	2
14	8024040	BOLT CARRAIGE 5/16 - 18 X 1	1
15	8024021	BOLT CARRAIGE 1/4 - 20 X 3/4"	6
16	350286	SCREW SHEET METAL	4
17	8160001	NUT LOCK 1/4	6
18	8160007	NUT LOCK 5/8 - 11	2
19	8160002	NUT LOCK 5/16	1
21	8172015	WASHER 3/4 SAE	4
22	350280	WASHER 0.906 OD X 0.656 ID	8
24	350310	RUBBER PAD 1/8" TK x 1/2" W	2
PARTS BAG SEEDER BOX KIT			
19	8160002	NUT LOCK 5/16 (REQUIRE ON THE OLD MODELS ONLY)	4
20	8177011	WASHER LOCK 5/16	4
23	8041026	SCREWCAP 5/16-18 x 3/4	4
-	350283	LIT SEEDER BOX (INCLUDES TEMPLATE)	1

FLAIL REEL ASSY 350112



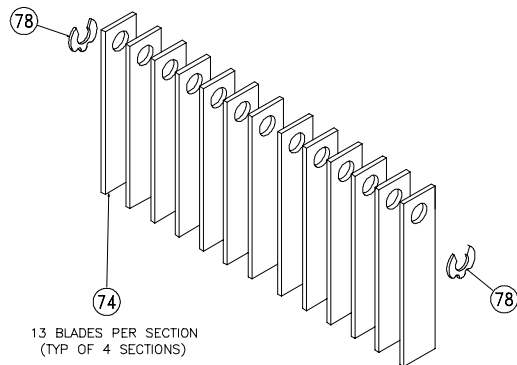
item no.	PARTS LIST	PR500 Part No.	QTY
73	SHAFT FLAIL BLADE	350141	4
74	BLADE FLAIL	350100	52
75	SPACER BUMPER 5/8" x 1/4"	350143	4
76	SPACER BUMPER 5/8" x 1/2"	350144	44
77	SHAFT WA FLAIL REEL	350145	1
78	CLIP LOCK 1/2"	350146	8
79	WASHER 1/2 SAE	8172011	8

FLAIL SHAFT KIT 350185



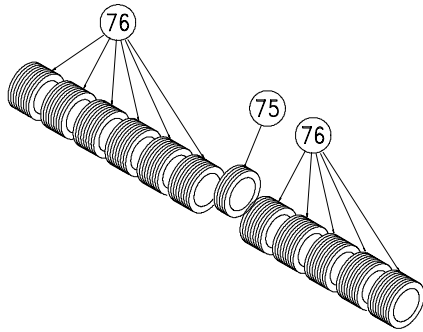
item no.	PARTS LIST	Part No.	QTY
73	SHAFT FLAIL BLADE	350141	4
78	CLIP LOCK 1/2"	350146	8

FLAIL BLADE KIT 350186



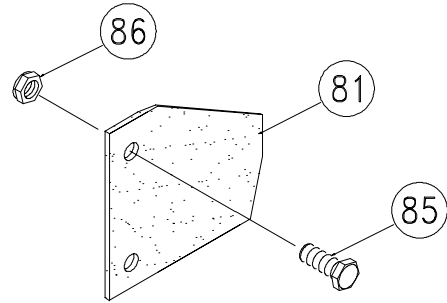
item no.	PARTS LIST	Part No.	QTY
74	BLADE FLAIL	350100	52
78	CLIP LOCK 1/2"	350146	8

SPACER BUMPER KIT 350258



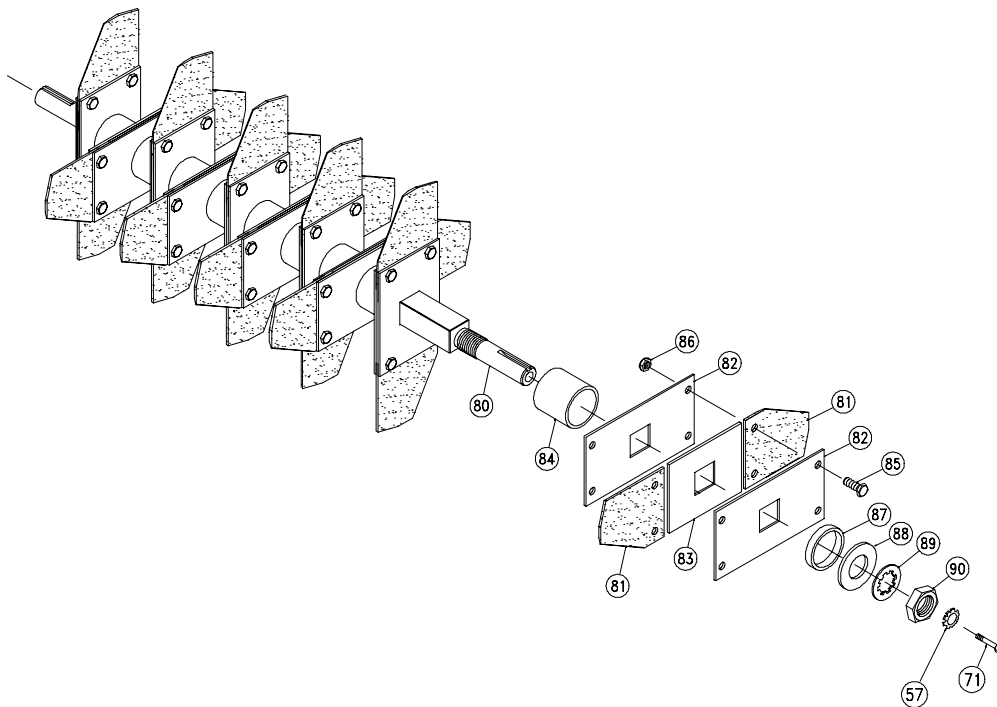
item no.	PARTS LIST	PR500 Part No.	QTY
75	SPACER BUMPER 5/8" x 1/4"	350143	4
76	SPACER BUMPER 5/8" x 1/2"	350144	44

SLICING BLADE KIT 350187



item no.	PARTS LIST	PR500 Part No.	QTY
81	BLADE SLICING REEL	350147	20
85	SCREWCAP 1/4-20 x 3/4, GR. 5	350151	40
86	NUT LOCK 1/4-20	8142004	40

SLICING REEL ASSY 350113

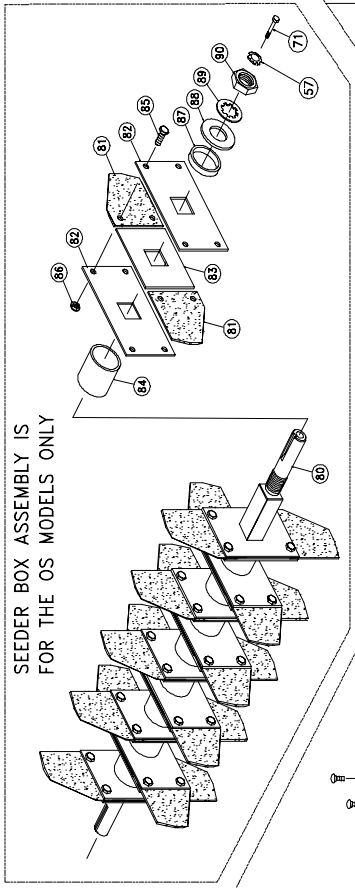


item no.	PARTS LIST	PR500 Part No.	QTY
57	LOCK WASHER 5/16 TWISTED TOOTH	800177	1
71	SCREWCAP 5/16 - 24 x 1" HCS GR. 5	400164	1
80	SHAFT SLICING WA	350142	1
81	BLADE SLICING REEL	350147	20
82	PLATE BLADE MTG.	350148	20
83	SPACER BLADE MTG.	350149	10
84	SPACER BLADE ASSY	350150	9
85	SCREWCAP 1/4-20 x 3/4, GR. 5	350151	40
86	NUT LOCK 1/4-20	8142004	40
87	COLLAR SPACER	350152	1
88	WASHER 0.937 x 1.750 x 0.119	350153	1
89	WASHER LOCK 7/8 INT. TOOTH	350154	1
90	NUT JAM 7/8-14	350155	1

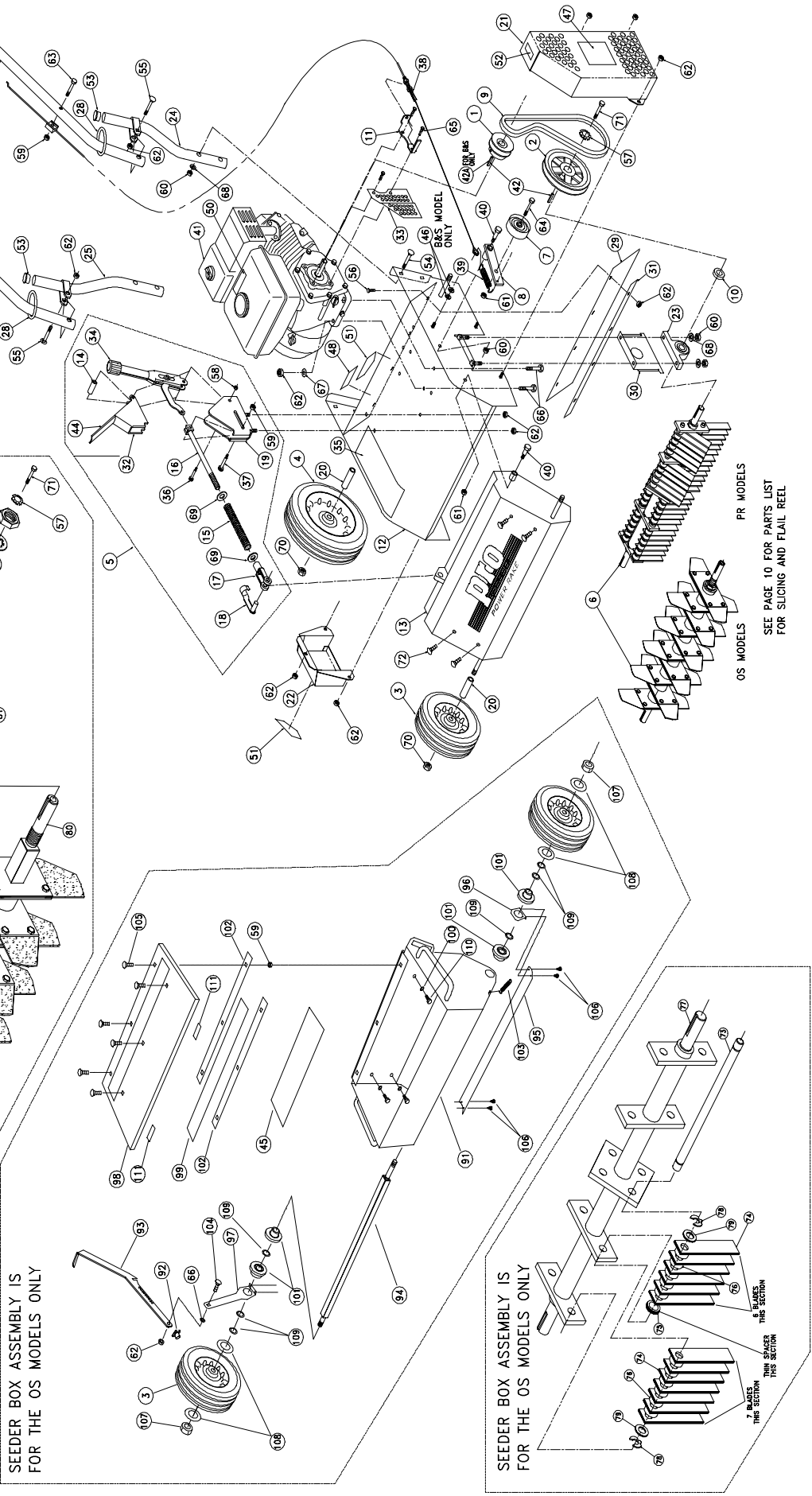


18 PARTS DRAWING

**PR550, PR550V, PR550H
PR550HV, OS550, OS550H**



SEEDER BOX ASSEMBLY IS
FOR THE OS MODELS ONLY



SEEDER BOX ASSEMBLY IS
FOR THE OS MODELS ONLY

PR MODELS ONLY
OS MODELS ONLY

SEE PAGE 10 FOR PARTS LIST
FOR SLICING AND FLAIL REEL

item no.	PARTS LIST	PR550 Part No.	QTY	PR550H Part No.	QTY	OS550 PR550V Part No.	QTY	OS550H PR550HV Part No.	QTY
1	Pulley 3" OD	350101-01	1	350101	1	350101-01	1	350101	1
2	Pulley 6.5" OD X ¾"	350102	1	350102	1	350102	1	350102	1
3	Wheel 8" Front PR	350103	2	350103	2	350103	2	350103	2
4	Wheel 10" Front PR	350104	2	350104	2	350104	2	350104	2
5	Height Adjust Assy	350107	1	350107	1	350107	1	350107	1
6	Reel Flail / Slicing Assy	350112	1	350112	1	350113	1	350113	1
7	Pulley Idler 2.75"	350114	1	350114	1	350114	1	350114	1
8	Arm Idler WA	350115	1	350115	1	350115	1	350115	1
9	Belt 5L X 36	350116	1	350116	1	350116	1	350116	1
10	Spacer Reel Pulley	350118	1	350118	1	350118	1	350118	1
11	Bracket Mount Clutch Cable	350119	1	350119	1	350119	1	350119	1
12	Chassis WA W/ Label	350194	1	350194	1	350194	1	350194	1
13	Frame Front WA	350121	1	350121	1	350121	1	350121	1
14	Bushing 0.375 OD X 0.256 ID X 0.88	350309	1	350309	1	350309	1	350309	1
15	Spring Height Adjust PR500	350125	1	350125	1	350125	1	350125	1
16	Link Height Adjust PR500	350126	1	350126	1	350126	1	350126	1
17	Yoke ½ - 20	350127	1	350127	1	350127	1	350127	1
18	Pin Yoke ½"	350128	1	350128	1	350128	1	350128	1
19	Bracket Mount Hgt. Adj. WA	350182	1	350182	1	350182	1	350182	1
20	Spacer Spanner Wheel PR500	350130	4	350130	4	350130	4	350130	4
21	Guard Belt WA W/ Label	350195	1	350195	1	350195	1	350195	1
22	Guard Shaft WA W/ Label	350196	1	350196	1	350196	1	350196	1
23	Bearing ¾" Cast Pillow Block	350133	2	350133	2	350133	2	350133	2
24	Handle Low er LH WA	350134	1	350134	1	350134	1	350134	1
25	Handle Low er RH WA	350135	1	350135	1	350135	1	350135	1
26	Handle Upper PR500	350136	1	350136	1	350136	1	350136	1
27	Bail Clutch WA	350137	1	350137	1	350137	1	350137	1
28	Loop Folding Handle	350138	2	350138	2	350138	2	350138	2
29	Deflector Rubber	350167	1	350167	1	350167	1	350167	1
30	Shield Bearing	350168	2	350168	2	350168	2	350168	2
31	Bar Clamp Deflector	350171	1	350171	1	350171	1	350171	1
32	Bracket Height Adjust Lock WA	350173	1	350173	1	350173	1	350173	1
33	Guard Pulley Back	350184	1	350174	1	350184	1	350174	1
34	Lever Height Control	350175	1	350175	1	350175	1	350175	1
35	Label Instr. Hgt. Adj.	350176	1	350176	1	350176	1	350176	1
36	Bolt Shoulder ¼" x 1 ¾"	350178	1	350178	1	350178	1	350178	1
37	Bolt Shoulder 5/16" x 1 ¾"	350179	1	350179	1	350179	1	350179	1
38	Cable Clutch Reel PR500	350181	1	350181	1	350181	1	350181	1
39	Spring Extension	400217	1	400217	1	400217	1	400217	1
40	Bolt Shoulder 1/2" X 1"	500114	3	500114	3	500114	3	500114	3
41	ENGINE HONDA 5.5 H.P. GX160	-	-	600115	1	-	-	600115	1
41	ENGINE INTEK 5.5HP OHV B&S	350197	1	-	-	350197	1	-	-
42	KEY 3/16" X 1"	9201078	1	9201078	2	9201078	1	9201078	2
42A	KEY 1/4" x 1"	9201113	1	-	-	9201113	1	-	-
43	GRIP 1" x 13"	400570	2	400570	2	400570	2	400570	2
44	GRIP LEVER 1/8 x 1 x 5"	500181	1	500181	1	500181	1	500181	1
45	LABEL INSTRUCTION SEEDER BOX	-	-	-	-	350288	1	350288	1
46	WASHER 5/16 FC (BELT GUARD)	8171003	2	-	-	8171003	2	-	-
47	LABEL GOAT HEAD	850209	1	850209	1	850209	1	850209	1
48	LABEL DANGER THROWN OBJECT	810736	1	810736	1	810736	1	810736	1
49	LABEL CLUTCH VQ	830503	1	830503	1	830503	1	830503	1
50	LABEL HOT ENGINE	400268	1	400268	1	400268	1	400268	1
51	LABEL WARNING	400424	2	400424	2	400424	2	400424	2
52	LABEL DANGER GUARD	900327	1	900327	1	900327	1	900327	1
53	PLUG CAP 1" RD	890132	2	890132	2	890132	2	890132	2
54	BOLT CARRIAGE 3/8-16 x 1 3/4	8024061	4	8024061	4	8024061	4	8024061	4
55	BOLT CARRIAGE 5/16-18 x 1 3/4	8024043	2	8024043	2	8024043	2	8024043	2
56	BOLT CARRIAGE 5/16 - 18 x 3/4	8024039	4	8024039	4	8024039	4	8024039	4
57	LOCK WASHER TW. TOOTH	400502	1	400502	1	800177	1	800177	1
58	NUT LOCK #10-24	8164005	1	8164005	1	8164005	1	8164005	1
59	NUT LOCK 1/4-20	8160001	2	8160001	2	8160001	8	8160001	8
60	NUT LOCK 3/8-16	8160003	9	8160003	9	8160003	9	8160003	9

item no.	PARTS LIST	PR550 Part No.	QTY	PR550H Part No.	QTY	OS550 PR550V Part No.	QTY	OS550H PR550HV Part No.	QTY
61	NUT LOCK 3/8-16 THIN	8161042	3	8161042	3	8161042	3	8161042	3
62	NUT LOCK 5/16-18	8160002	18	8160002	18	8160002	19	8160002	19
63	SCREWCAP 1/4-20 x 1 1/2	8041008	1	8041008	1	8041008	1	8041008	1
64	SCREWCAP 3/8 - 16 x 1 1/4	8041051	1	8041051	1	8041051	1	8041051	1
65	SCREWCAP 5/16-24 x 1" GR.5	8042026	3	8042026	3	8042026	3	8042026	3
66	SCREWCAP 5/16 - 18 x 1 1/2	8041030	4	8041030	4	8041030	4	8041030	4
67	WASHER 5/16 FLAT CUT	8171003	4	8171003	4	8171003	5	8171003	5
68	WASHER 3/8 FLAT CUT	8171004	8	8171004	8	8171004	8	8171004	8
69	WASHER 1/2 FLAT CUT	8171006	2	8171006	2	8171006	2	8171006	2
70	NUT LOCK 1/2 - 13	8160005	4	8160005	4	8160005	4	8160005	4
71	SCREWCAP REEL PULLEY	8041050	1	8041050	1	400164	1	400164	1
72	BUTTON SOCKET 5/16-18X5/8"	350266	4	350266	4	-	-	-	-

FLAIL REEL ASSEMBLY (FOR PR550 AND PR550H MODELS ONLY)

73	SHAFT FLAIL BLADE	350141	4	350141	4	-	-	-	-
74	BLADE FLAIL	350100	52	350100	52	-	-	-	-
75	SPACER BUMPER 5/8" x 1/4"	350143	4	350143	4	-	-	-	-
76	SPACER BUMPER 5/8" x 1/2"	350144	44	350144	44	-	-	-	-
77	SHAFT WA FLAIL REEL	350145	1	350145	1	-	-	-	-
78	CLIP LOCK 1/2"	350146	8	350146	8	-	-	-	-
79	WASHER 1/2 SAE	8172011	8	8172011	8	-	-	-	-

SLICING REEL ASSEMBLY (FOR PR550V, PR550HV, OS550, AND OS550H MODELS ONLY)

80	SHAFT SLICING WA	350142	1	350142	1	350142	1	350142	1
81	BLADE SLICING REEL	350147	20	350147	20	350147	20	350147	20
82	PLA TE BLADE MTG.	350148	20	350148	20	350148	20	350148	20
83	SPACER BLADE MTG.	350149	10	350149	10	350149	10	350149	10
84	SPACER BLADE ASSY	350150	9	350150	9	350150	9	350150	9
85	SCREWCAP 1/4-20 x 3/4, GR. 5	350151	40	350151	40	350151	40	350151	40
86	NUT LOCK 1/4-20	8142004	40	8142004	40	8142004	40	8142004	40
87	COLLAR SPACER	350152	1	350152	1	350152	1	350152	1
88	WASHER 0.937 x 1.750 x 0.119	350153	1	350153	1	350153	1	350153	1
89	WASHER LOCK 7/8 INT. TOOTH	350154	1	350154	1	350154	1	350154	1
90	NUT JAM 7/8-14	350155	1	350155	1	350155	1	350155	1

SEEDER BOX ASSEMBLY (FOR OS550, AND OS550H MODELS ONLY)

91	BOX DROP SEEDER WA	-	-	-	-	350287	1	350287	1
92	BRACKET ADJ DROP SEEDER ASSY	-	-	-	-	350306	1	350306	1
93	BAR DOOR LINKAGE	-	-	-	-	350276	1	350276	1
94	SHAFT DROP SEEDER	-	-	-	-	350270	1	350270	1
95	PLA TE DOOR DROP SEEDER	-	-	-	-	350271	1	350271	1
96	PLA TE DOOR DROP SEEDER END	-	-	-	-	350272	1	350272	1
97	PLA TE DOOR DROP SEEDER ARM	-	-	-	-	350273	1	350273	1
98	BRACKET LID SEEDER BOX	-	-	-	-	350274	1	350274	1
99	COVER CLEAR PLASTIC 19.5 X 3	-	-	-	-	350275	1	350275	1
100	WASHER LOCK 5/16	-	-	-	-	8177011	4	8177011	4
101	BEARING CLIP 1.375 OD	-	-	-	-	900321	4	900321	4
102	PLA TE MOUNT FLAPPER	-	-	-	-	510144	2	510144	2
103	SPRING TENSION	-	-	-	-	400217	2	400217	2
104	BOLT CARRIAGE 5/16 - 18 X 1	-	-	-	-	8024040	1	8024040	1
105	BOLT CARRIAGE 1/4 - 20 X 3/4"	-	-	-	-	8024021	6	8024021	6
106	SCREW SHEET METAL	-	-	-	-	350286	4	350286	4
107	NUT LOCK 5/8 - 11	-	-	-	-	8160007	2	8160007	2
108	WASHER 3/4 SAE	-	-	-	-	8172015	4	8172015	4
109	WASHER 0.906 OD X 0.656 ID	-	-	-	-	350280	8	350280	8
110	SCREWCAP 5/16-18 x 3/4	-	-	-	-	8041026	4	8041026	4
111	RUBBER PAD 1/8" TK X 1/2"W X 3"	-	-	-	-	350310	2	350310	2