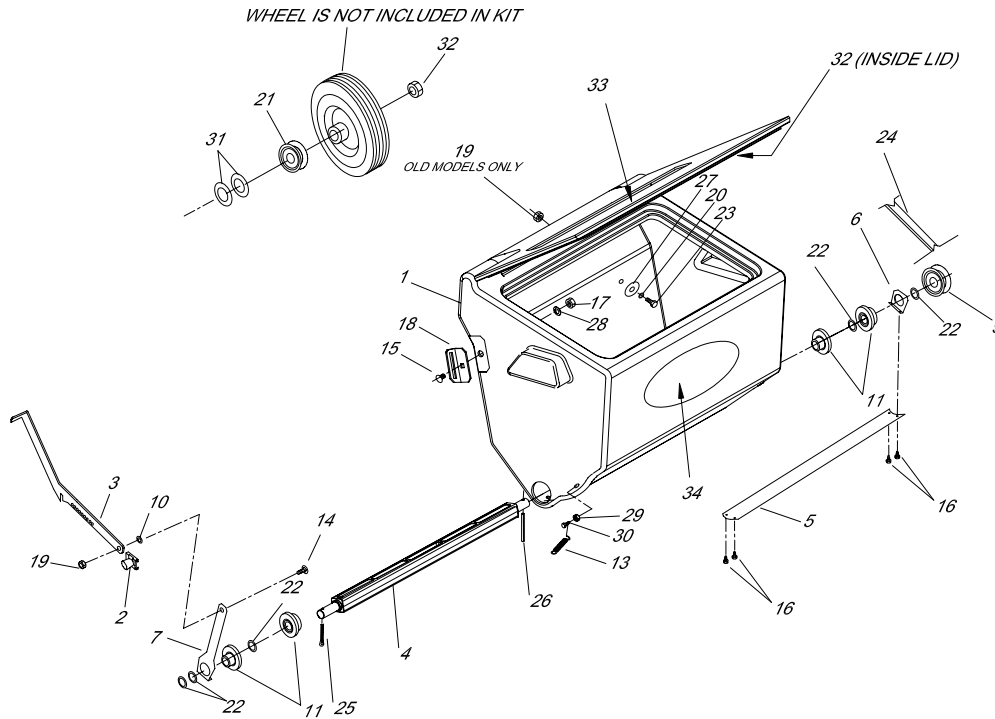




POWER RAKE SEEDER BOX KIT

P/N 350325



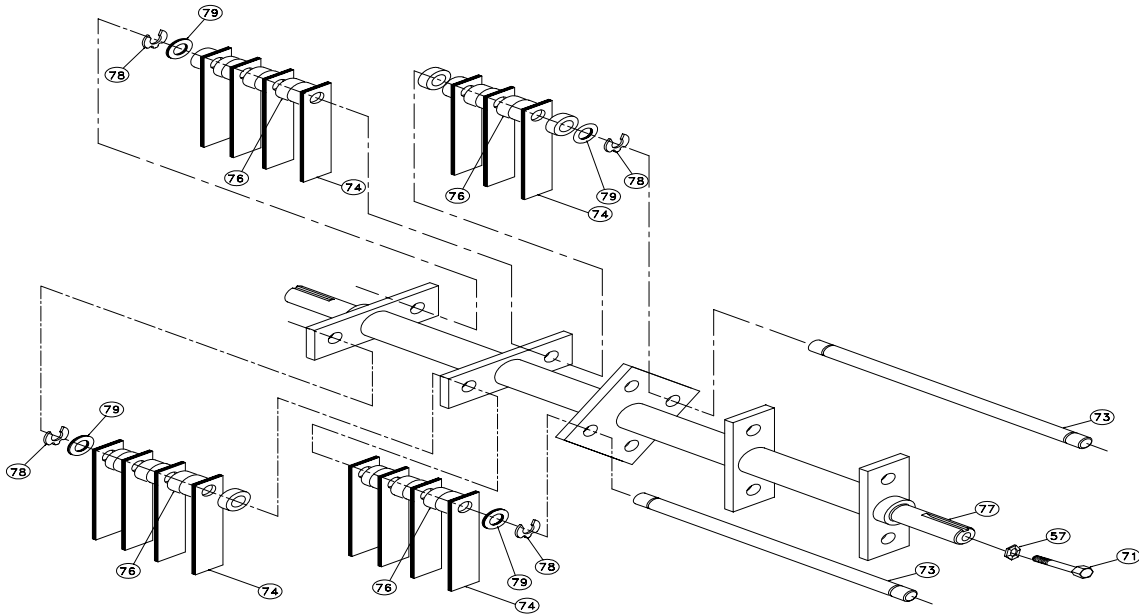
PARTS LIST			
ITEM NO.	PART NO.	DESCRIPTION	QTY
1	350366	BOX AND LID ASSEMBLY	1
2	350306	BRACKET ADJ DROP SEEDER ASSY	1
3	350276	BAR DOOR LINKAGE	1
4	350320	SHAFT PLASTIC DROP SEEDER	1
5	350271	PLATE DOOR DROP SEEDER	1
6	350272	PLATE DOOR DROP SEEDER END	1
7	350273	PLATE DOOR DROP SEEDER ARM	1
9	350370	PULLEY 3V GROOVE 0.625" BORE	1
10	8171003	WASHER 5/16 FLAT CUT	1
11	900321	BEARING CLIP 1.375 OD	4
12			
13	400217	SPRING TENSION	2
14	8024040	BOLT CARRIAGE 5/16 - 18 X 1	1
15	8024021	BOLT CARRIAGE 1/4-20 X 3/4"	1
16	8123087	SCREW SELF TAP #10-24 X 3/8" HMS ZP	4
17	8160001	NUT LOCK 1/4	1
18	350332	BRACKET SLOT PLASTIC SEEDER BOX	1
19	8160002	NUT LOCK 5/16	1
21	350369	PULLEY 3V GROOVE 1.530" BORE	1
22	350280	WASHER 0.906 O.D. X 0.656 I.D. X 0.062	7-8
24	350372	BELT O-RING 5/16 X 15 9/16"	1
25	8197031	PIN COTTER 1/8" X 1"	1
26	9195106	ROLL PIN 1/8 - 1 1/4	1
28	8172007	WASHER 1/4 SAE	1
29	8154007	NUT HEX 10-24	2
30	8059136	SCREWCAP #10-24 X 3/4	2
32	350288	LABEL INSTRUCTION SEEDER BOX	1
33	890456	LABEL HOSE PLUG KD/SV	1
34	350313	LABEL PRODUCT DECAL OS	1

PARTS BAG SEEDER BOX KIT 350326

19	8160002	NUT LOCK 5/16 (REQUIRE ON THE OLD MODELS ONLY)	4
20	8177011	WASHER LOCK 5/16	4
23	8041026	SCREWCAP 5/16-18 x 3/4	4
27	8172020	WASHER 5/16 FENDER	4
31	900230	WASHER 1/2 FC	1-2
32	8161044	NUT LOCK 1/2" THIN HGT	1
-	350327	LIT SEEDER BOX (INCLUDES TEMPLATE)	1

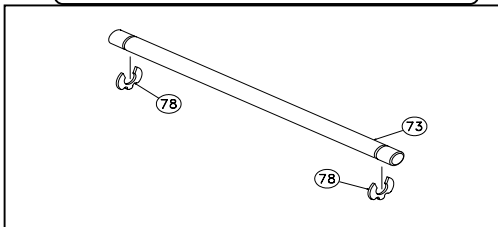
PARTS DRAWING

FLAIL REEL KIT 350112



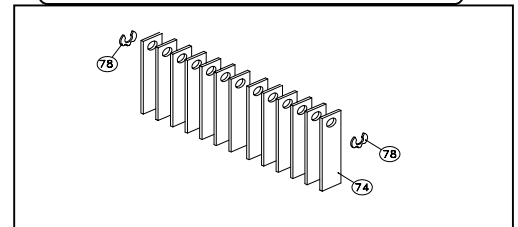
item no.	PARTS LIST	Part No.	QTY
57	LOCK WASHER TWISTED TOOTH	400502	1
71	SCREWCAP REEL PULLEY	8041050	1
73	SHAFT FLAIL BLADE	350141	4
74	BLADE FLAIL	350100	30
76	SPACER BUMPER 5/8" x 1/2"	350144	54
77	SHAFT WA FLAIL REEL	350145	1
78	CLIP LOCK 1/2"	350146	8
79	WASHER 1/2 SAE	8172011	8

FLAIL SHAFT KIT 350185



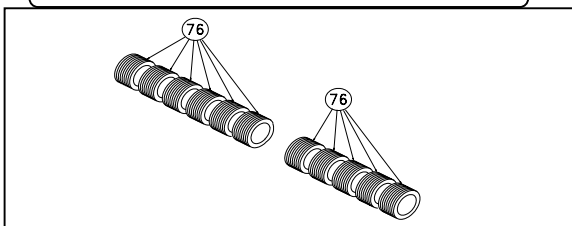
item no.	PARTS LIST	Part No.	QTY
73	SHAFT FLAIL BLADE	350141	4
78	CLIP LOCK 1/2"	350146	8

FLAIL BLADE KIT 350186



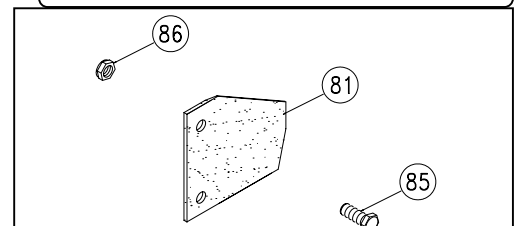
item no.	PARTS LIST	Part No.	QTY
74	BLADE FLAIL	350100	60
78	CLIP LOCK 1/2"	350146	8

SPACER BUMPER KIT 350258



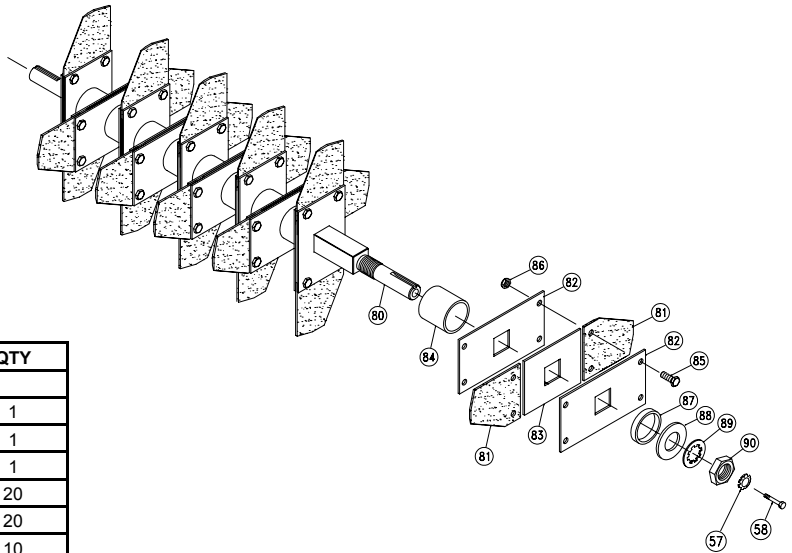
item no.	PARTS LIST	Part No.	QTY
76	SPACER BUMPER 5/8" x 1/2"	350144	54

SLICING BLADE KIT 350187



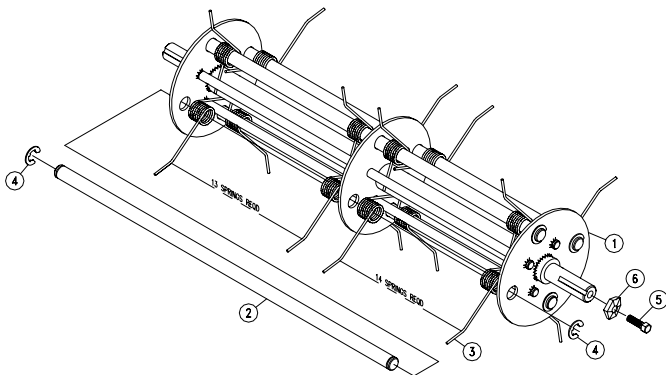
item no.	PARTS LIST	Part No.	QTY
81	BLADE 10" HEX SLICING	350147	20
85	SCREWCAP 1/4-20 X 3/4 HCS ZP	8041004	40
86	NUT LOCK 1/4-20	8142004	40

PARTS DRAWING **SLICING REEL ASSY 350113**



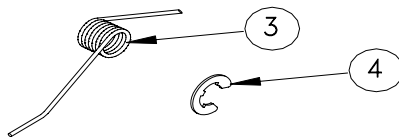
item no.	PARTS LIST	PR500 Part No.	QTY
57	LOCK WASHER 5/16 TWISTED TOOTH	800177	1
71	SCREWCAP 5/16 - 24 x 1" HCS GR. 5	400164	1
80	SHAFT SLICING WA	350142	1
81	BLADE SLICING REEL	350147	20
82	PLATE BLADE MTG.	350148	20
83	SPACER BLADE MTG.	350149	10
84	SPACER BLADE ASSY	350150	9
85	SCREWCAP 1/4-20 x 3/4, HCS ZP	8041004	40
86	NUT LOCK 1/4-20	8142004	40
87	COLLAR SPACER	350152	1
88	WASHER 0.937 x 1.750 x 0.119	350153	1
89	WASHER LOCK 7/8 INT. TOOTH	350154	1
90	NUT JAM 7/8-14	350155	1

SPRING TINE REEL ASSY - 350355-S



item no.	PARTS LIST	Part No.	QTY
1	SHAFT WA SPRING TINE REEL	350353	1
2	SHAFT SPRING TINE REEL	350351	4
3	SPRING TINE	350352	108
4	RING RETAINING 1/2"	350146	8
5	SCREWCAP 5/16"-24x1" GR. 5 ZP	400164	1
6	WASHER LOCK TWISTED TOOTH HEAVY	430298	1

SPRING REPLACEMENT KIT - 350356-S

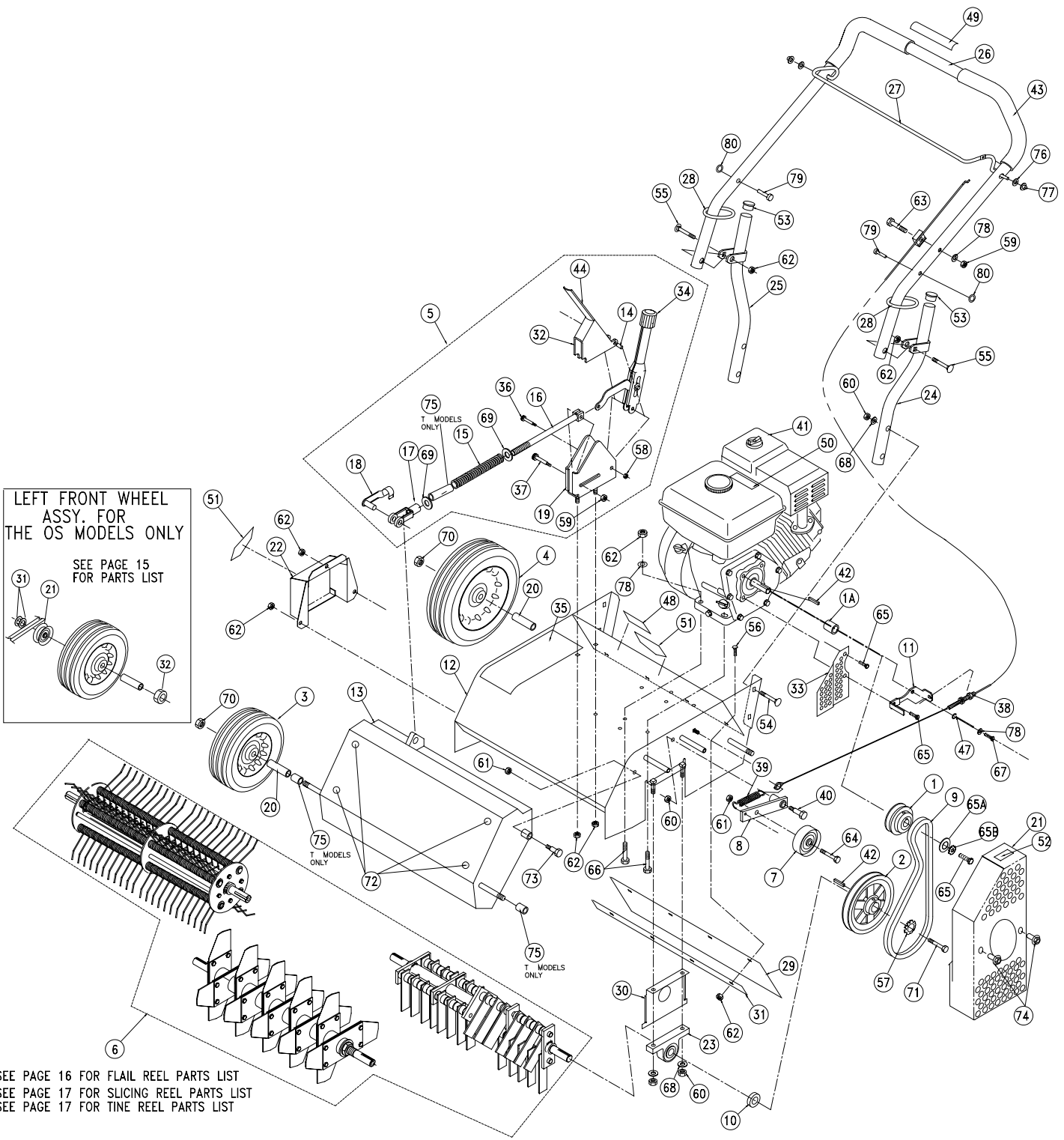


item no.	PARTS LIST	Part No.	QTY
3	SPRING TINE	350352	108
4	RING RETAINING 1/2"	350146	8



PARTS DRAWING

**PR550, PR550H, PR550T,
PR550HT, PR600S, OS551,
OS551H, OS600S**



LEFT FRONT WHEEL
ASSY. FOR
THE OS MODELS ONLY
SEE PAGE 15
FOR PARTS LIST

SEE PAGE 16 FOR FLAIL REEL PARTS LIST
SEE PAGE 17 FOR SLICING REEL PARTS LIST
SEE PAGE 17 FOR TINE REEL PARTS LIST



PR & OS Owner's Manual

PARTS LIST

item no.	PARTS LIST	PR550 Part No.	QTY	PR550H Part No.	QTY	OS551 Part No.	QTY	OS551H Part No.	QTY	PR550T Part No.	QTY	PR550HT Part No.	QTY	PR600S Part No.	QTY	OS600S Part No.	QTY
1	Pulley 3" OD	350101	1	350101	1	350101	1	350101	1	350101	1	350101	1	350101	1	350101	1
1A	Spacer Crank PR Honda	350339	1	350339	1	350339	1	350339	1	350339	1	350339	1	350339	1	350339	1
2	Pulley 6.5" OD X 3/4"	350102	1	350102	1	350102	1	350102	1	350102	1	350102	1	350102	1	350102	1
3	WHEEL 8.0" X 5/8" BEARING	350103	2	350103	2	350103	2	350103	2	350236	2	350236	2	350103	2	350103	2
4	WHEEL 10.0" X 5/8" BEARING	350104	2	350104	2	350104	2	350104	2	350362	2	350362	2	350104	2	350104	2
5	Height Adjust Assy	350107	1	350107	1	350107	1	350107	1	350107	1	350107	1	350107	1	350107	1
6	Reel Flail / Slicing / Spring Assy	350112	1	350112	1	350113	1	350113	1	350354	1	350354	1	350354	1	350113	1
7	Pulley Idler 2.75"	350114	1	350114	1	350114	1	350114	1	350114	1	350114	1	350114	1	350114	1
8	Arm Idler WA	350115	1	350115	1	350115	1	350115	1	350115	1	350115	1	350115	1	350115	1
9	Belt 5L X 36	350116	1	350116	1	350116	1	350116	1	350116	1	350116	1	350116	1	350116	1
10	Spacer Reel Pulley	350118	1	350118	1	350118	1	350118	1	350118	1	350118	1	350118	1	350118	1
11	Bracket Mount Clutch Cable	350119	1	350119	1	350119	1	350119	1	350119	1	350119	1	350119	1	350119	1
12	Chassis WA W/ Label	350194	1	350194	1	350194	1	350194	1	350194	1	350194	1	350194	1	350194	1
13	Frame Front WA	350121	1	350121	1	350121	1	350121	1	350121	1	350121	1	350121	1	350121	1
14	Bushing 0.375 OD X 0.256 ID X 0.88	350309	1	350309	1	350309	1	350309	1	350309	1	350309	1	350309	1	350309	1
15	Spring Height Adjust PR500	350125	1	350125	1	350125	1	350125	1	350125	1	350125	1	350125	1	350125	1
16	Link Height Adjust PR500	350126	1	350126	1	350126	1	350126	1	350126	1	350126	1	350126	1	350126	1
17	Yoke 1/2 - 20	350127	1	350127	1	350127	1	350127	1	350127	1	350127	1	350127	1	350127	1
18	Pin Yoke 1/2"	350128	1	350128	1	350128	1	350128	1	350128	1	350128	1	350128	1	350128	1
19	Bracket Mount Hgt. Adj. WA	350182	1	350182	1	350182	1	350182	1	350182	1	350182	1	350182	1	350182	1
20	Spacer Spanner Wheel PR500	350130	4	350130	4	350130	4	350130	4	-	-	-	-	350130	4	350130	4
21	Guard Belt WA W/ Label	350195	1	350195	1	350195	1	350195	1	350195	1	350195	1	350195	1	350195	1
22	Guard Shaft WA W/ Label	350196	1	350196	1	350196	1	350196	1	350196	1	350196	1	350196	1	350196	1
23	Bearing 3/4" Cast Pillow Block	350133	2	350133	2	350133	2	350133	2	350133	2	350133	2	350133	2	350133	2
24	Handle Lower LH WA	350134	1	350134	1	350134	1	350134	1	350134	1	350134	1	350134	1	350134	1
25	Handle Lower RH WA	350135	1	350135	1	350135	1	350135	1	350135	1	350135	1	350135	1	350135	1
26	Handle Upper PR500	350375	1	350375	1	350375	1	350375	1	350375	1	350375	1	350375	1	350375	1
27	Bail Clutch WA	350374	1	350374	1	350374	1	350374	1	350374	1	350374	1	350374	1	350374	1
28	Loop Folding Handle	350138	2	350138	2	350138	2	350138	2	350138	2	350138	2	350138	2	350138	2
29	Deflector Rubber	350167	1	350167	1	350167	1	350167	1	350167	1	350167	1	350167	1	350167	1
30	Shield Bearing	350168	2	350168	2	350168	2	350168	2	350168	2	350168	2	350168	2	350168	2
31	Bar Clamp Deflector	350171	1	350171	1	350171	1	350171	1	350171	1	350171	1	350171	1	350171	1
32	Bracket Height Adjust Lock WA	350173	1	350173	1	350173	1	350173	1	350173	1	350173	1	350173	1	350173	1
33	Guard Pulley Back	350184	1	350184	1	350184	1	350184	1	350184	1	350184	1	350184	1	350184	1
34	Lever Height Control	350175	1	350175	1	350175	1	350175	1	350175	1	350175	1	350175	1	350175	1
35	Label Instr. Hgt. Adj.	350176	1	350176	1	350176	1	350176	1	350176	1	350176	1	350176	1	350176	1
36	Bolt Shoulder 1/4" x 1 3/4"	350178	1	350178	1	350178	1	350178	1	350178	1	350178	1	350178	1	350178	1
37	Bolt Shoulder 5/16" x 1 3/4"	350179	1	350179	1	350179	1	350179	1	350179	1	350179	1	350179	1	350179	1
38	Cable Clutch Reel PR500	350181	1	350181	1	350181	1	350181	1	350181	1	350181	1	350181	1	350181	1
39	Spring Extension	400217	1	400217	1	400217	1	400217	1	400217	1	400217	1	400217	1	400217	1
40	BOLT SHOULDER 1/2" X 1"	500114	1	500114	1	500114	1	500114	1	500114	1	500114	1	500114	1	500114	1
41	ENGINE HONDA 5.5 H.P. GX160	-	-	600115	1	-	-	600115	1	-	-	-	-	600115	1	-	-
	ENGINE 5.5 HP B&S VANGUARD	350379	1	-	-	350379	1	-	-	350379	1	-	-	-	-	-	-
	ENGINE SUBARU 6HP EX17	-	-	-	-	-	-	-	-	-	-	-	-	350307	1	350307	1
42	KEY 3/16" X 1"	9201078	2	9201078	2	9201078	2	9201078	2	9201078	2	9201078	2	9201078	2	9201078	2
43	GRIP 1" x 13"	400570	2	400570	2	400570	2	400570	2	400570	2	400570	2	400570	2	400570	2
44	GRIP LEVER 1/8 x 1 x 5"	500181	1	500181	1	500181	1	500181	1	500181	1	500181	1	500181	1	500181	1
45	LABEL INSTRUCTION SEEDER BOX	-	-	-	-	350288	1	350288	1	-	-	-	-	-	-	350288	1
46																	
47	FINGER BELT WIRE	350301	1	350301	1	350301	1	350301	1	350301	1	350301	1	350301	1	350301	1
48	LABEL DANGER THROWN OBJECT	810736	1	810736	1	810736	1	810736	1	810736	1	810736	1	810736	1	810736	1
49	LABEL CLUTCH VQ	830503	1	830503	1	830503	1	830503	1	830503	1	830503	1	830503	1	830503	1
50	LABEL HOT ENGINE	400268	1	400268	1	400268	1	400268	1	400268	1	400268	1	400268	1	400268	1
51	LABEL WARNING	400424	2	400424	2	400424	2	400424	2	400424	2	400424	2	400424	2	400424	2
52	LABEL DANGER GUARD	900327	1	900327	1	900327	1	900327	1	900327	1	900327	1	900327	1	900327	1
53	PLUG CAP 1" RD	890132	2	890132	2	890132	2	890132	2	890132	2	890132	2	890132	2	890132	2
54	BOLT CARRAIGE 3/8-16 x 1 3/4	8024061	4	8024061	4	8024061	4	8024061	4	8024061	4	8024061	4	8024061	4	8024061	4
55	BOLT CARRAIGE 5/16-18 x 1 3/4	8024043	2	8024043	2	8024043	2	8024043	2	8024043	2	8024043	2	8024043	2	8024043	2
56	BOLT CARRAIGE 5/16 - 18 x 3/4	8024039	4	8024039	4	8024039	5	8024039	5	8024039	5	8024039	5	8024039	5	8024039	5
57	LOCK WASHER TW. TOOTH	400502	1	400502	1	800177	1	800177	1	800177	1	800177	1	400502	1	800177	1
58	NUT LOCK #10-24	8164005	1	8164005	1	8164005	1	8164005	1	8164005	1	8164005	1	8164005	1	8164005	1
59	NUT LOCK 1/4-20	8160001	2	8160001	2	8160001	5	8160001	5	8160001	5	8160001	5	8160001	5	8160001	5
60	NUT LOCK 3/8-16	8160003	9	8160003	9	8160003	9	8160003	9	8160003	9	8160003	9	8160003	9	8160003	9
61	NUT LOCK 3/8-16 THIN	8161042	3	8161042	3	8161042	3	8161042	3	8161042	3	8161042	3	8161042	3	8161042	3
62	NUT LOCK 5/16-18	8160002	18	8160002	18	8160002	19	8160002	19	8160002	19	8160002	19	8160002	19	8160002	19
63	SCREWCAP 1/4-20 x 1 1/2	8041008	1	8041008	1	8041008	1	8041008	1	8041008	1	8041008	1	8041008	1	8041008	1
64	SCREWCAP 3/8 - 16 x 1 1/2	8041052	1	8041052	1	8041052	1	8041052	1	8041052	1	8041052	1	8041052	1	8041052	1
65	SCREWCAP 5/16-24 x 3/4" GR.5	8042026	3	8042026	4	8042026	3	8042026	4	8042026	3	8042026	4	8042026	4	8042026	4
65A	Washer 3/4 SAE	8172015	1	8172015	1	8172015	1	8172015	1	8172015	1	8172015	1	8172015	1	8172015	1
65B	Washer 5/16 Twist Tooth	430298	1	430298	1	430298	1	430298	1	430298	1	430298	1	430298	1	430298	1
66	SCREWCAP 5/16 - 18 x 1 1/2	8041030	4	8041030	4	8041030	4	8041030	4	8041030	4	8041030	4	8041030	4	8041030	4
67	SCREWCAP 5/16-24 X 1	400164	1	400164	1	400164	1	400164	1	400164	1	400164	1	400164	1	400164	1
68	WASHER 3/8 FLAT CUT	8171004	8	8171004	8	8171004	8	8171004	8	8171004	8	8171004	8	8171004	8	8171004	8
69	WASHER 1/2 SAE ZP	8172011	2	8172011	2	8172011	5	8172011	5	8172011	5	8172011	5	8172011	5	8172011	5
70	NUT LOCK 1/2" - 13 THIN HGT	8161044	4	8161044	4	8161044	4	8161044	4	8160005	4	8160005	4	81			