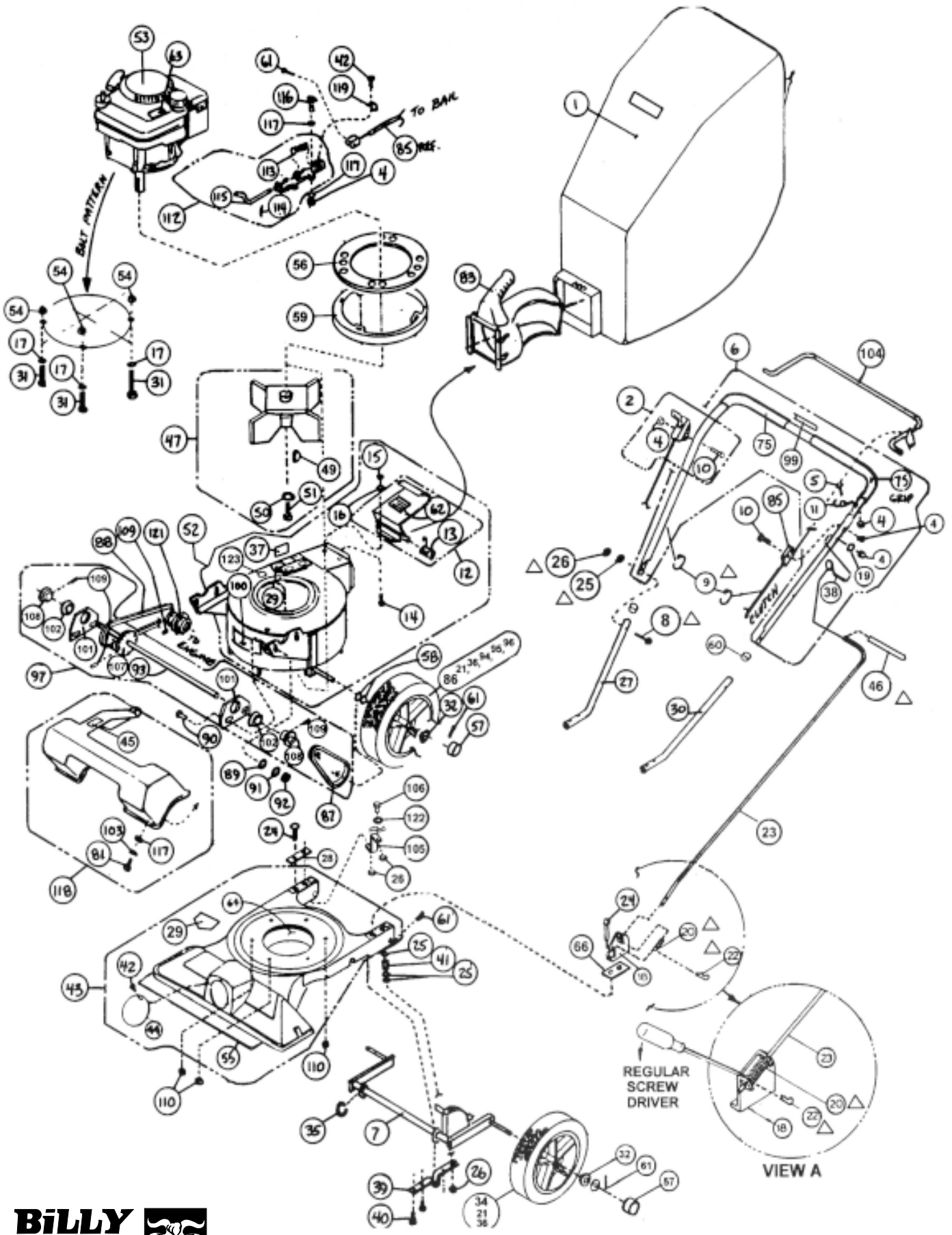


PARTS DRAWING 10



18 PARTS DRAWING

KD502SPQ

Item No.	19 PARTS LIST	Description	KD502SPQ	Qty.
			Part No.	
1		DEBRIS BAG (service assy) (incl. (2) of 4,5 & 11)	900803	1
2		THROTTLE ASSEMBLY (INCL. 1 ea items 4, 10)	900514-02	1
3				
4		NUT LOCK (1/4 - 20)	*8160001	6
5		SCREW CAP (1/4 - 20 x 1-1/2 HEX)	*8041008	2
6		HANDLE ASS'Y (incl. items 4(3), 5(2), 11(2), 38, 19, 99, 75(2))	900967	1
7		AXLE REAR - FRAME W.A.	900956	1
8		SCREW CAP 5/16 - 18 x 1-1/2	*8041030	2
9		CLAMP CABLE PLASTIC 1"	900813	2
10		SCREW CAP 1/4 - 20 x 1 3/4	*8041009	2
11		ROD - BAG LOOP	800178	2
12		DOOR EXHAUST ASS'Y (incl. items 13, 62)	890148	1
13		SPRING DOOR EXHAUST	890142	1
14		SCREW CAP #10 - 24 x 5/8	*8059135	2
15		NUT LOCK #10 NC	*8164005	2
16		WASHER #10 FC	*8171001	2
17		WASHER LOCK 3/8 INT.	*8180011	3
18		BRACKET - HEIGHT ADJUSTMENT	900932	1
19		WASHER FLAT CUT 1/4	*8171002	1
20		SPRING	900136	1
21		TIRE - ONLY (PER ASSY) TREADED	900659	1
22		PIN - HAIR COTTER	900471	1
23		ROD HT. ADJ.	900978	1
24		BOLT - CARRIAGE 5/16 - 18 x 3-1/2	*8024050	4
25		WASHER - FLAT 5/16 SAE	*8172008	14
26		NUT LOCK 5/16 - 18 HEX	*8160002	7
27		HANDLE STUB (R.H.)	900911	1
28		PLATE HANDLE SUPPORT	900933	1
29		LABEL DANGER CUT FINGER	400424	2
30		HANDLE STUB (L.H.)	900912	1
31		SCREW CAP 3/8 - 16 X 2 1/2 WASHER FACE	900564	3
32		WASHER HUB CAP 1/2 I.D.	900927	4
33				
34		WHEEL ASS'Y CAST (incl. items 21, 36) TREADED	900760	2
35		WASHER 0.75 "C"	900997	1-0
36		BEARING ONLY (QTY PER WHEEL ASS'Y)	900498	2
37		LABEL EAR EYE BREATHING	890254	1
38		EYE BOLT	900913	1
39		PLATE BRACE REAR	890189	2
40		SCREW CAP 1/4 - 20 x 1/2	*8041002	4
41		SPACER	900926	4
42		SCREW SELF TAPPING 10 - 24 x 1/2	*8123086	2
43		NOZZLE MAINFRAME ASS'Y (incl. one of items 29, 44, 42, 55, 64)	900966	1
44		PLUG	900146	1
45		LABEL OIL CHAIN	830502	1
46		GRIP	900937	1
47		IMPELLER ASS'Y (incl. items 49, 50, 51)	900342-S	1
48				
49		KEY HI PRO (5/32 x 5/8)	900162	1
50		WASHER LOCK 3/8 TWISTED TOOTH	400502	1
51		SCREW CAP 3/8 - 24 x 1 1/2" (HARDENED) (TORQUE 50 FT-LBS) (68 N·m)	900344	1
52		HOUSING ASS'Y (incl. items 12, 14, 15, 16, 29, 37, 100)	890237	1
53		ENGINE 5.0 H.P. BRIGGS & STRATTON QUANTUM	900619	1
54		NUT LOCK 3/8 16	*8160003	3
55		ROD BUMPER	900939	1
56		GASKET	800411	1
57		CAP HUB	900486	4
58		WASHER FLAT 1/2 SAE	*8172011	4
59		SPACER RING FULL ASSY	900304T	1
60		CAP END 1"	890132	2
61		PIN COTTER 3/32 x 3/4	*8197016	5
62		LABEL DANGER FLYING MATERIAL	810736	1
63		LABEL HOT ENGINE	400268	1
64		GUARD FOAM INSERT	900977	1
65		PARTS BAG ASSY (INCL. 46, 8(2), 9(2), 25(2), 26(2), 20, 22)	900974	1
66	△	PLATE BRACE HT. ADJ.	900756	1
67				
68				
69				
70				
71				
72				
73				
74				
75		GRIP HANDLE	400570	2
76				
77				
78				
79				
80				
81		SCREW CAP 1/4 - 20 x 3/4	*8041004	2
82				
83		CONNECTOR QUICK	890176	1
84				
85		CABLE ASS'Y CLUTCH	900207	1

* Denotes standard hardware item that may be purchased locally.

△ Denotes parts found in parts bag assembly.

PARTS LIST 11

19

Parts List continued from page 11.

Item No.	Description	KD502SPQ Part No.	Qty.
86	WHEEL WITH SPROCKET ASS'Y CAST (21, 36, 94, 95, 96)	900512	2
87	CHAIN 52 PITCH	890239	2
88	CHAIN 40 PITCH	900323	1
89	WASHER FLAT 5/16 (3/8 ID x 7/8 x 1/16)	*8171003	4
90	BOLT CARRIAGE 5/16 -18 x 3/4	*8024039	4
91	WASHER SPRING LOCK 5/16	*8177011	4
92	NUT REGULAR 5/16-18	*8142002	4
93	JACKSHAFT	900320	1
94	SPROCKET (PER ASSEMBLY) 26 TEETH (Size 65A26)	890238	1
95	SCREW SELF TAP 1/4-14 x 3/4 (PER ASSEMBLY)	800505	5
96	WASHER LOCK EXTERNAL TOOTH (PER ASSEMBLY)	*8181007	5
97	JACKSHAFT ASS'Y (INCLUDE. 93, 101, 102, 107, 108, 109)	890197	1
98			
99	LABEL CLUTCH	900328	1
100	LABEL-DANGER GUARDS	900327	1
101	BEARING PLATE	900317	2
102	BEARING BALL (WITH SNAP RING)	900321	2
103	WASHER LOCK 1/4	*8177010	2
104	ROD BAIL CLUTCH ASS'Y (INCLUDE. GRIP)	900969	1
105	BAR BRACE HANDLE	900768	1
106	SCREW CAP 5/16-18 x 3/4	*8041026	1
107	SPROCKET - 17 TOOTH	900303	1
108	SPROCKET - 8 TOOTH	900302	2
109	ROLL PIN 3/16 DIA. x 1 1/4 LG.	*8195166	4
110	LOCKNUT 5/16 - 18 FLANGE	850164	5
112	BRACKET CONTROL ASS'Y (INCL. 113, 114, 115)	900221	1
113	SPRING	900136	1
114	ROLL PIN 1/8" DIA. x 1 1/4 LG.	*9195106	1
115	ROD CLUTCH	900208	1
116	SCREW CAP 1/4-20 x 1" LG.	*8041006	2
117	WASHER 1/4" FLAT (5/16 ID x 3/4 OD x 1/16)	*8171002	6
118	GUARD CHAIN ASS'Y	890231	1
119	CLIP-CLUTCH CABLE	900999	1
120			
121	CLUTCH DOUBLE RELEASE	900307	1
122	WASHER FENDER 5/16	*8172020	1
123	LABEL READ OWNER'S MANUAL	890301	1

* Denotes standard hardware item that may be purchased locally.

△ Denotes parts found in parts bag assembly.

20

TROUBLESHOOTING

Before Requesting Service Review These Suggestions

Problem	Possible Cause	Solution
Will not vacuum or has poor vacuum performance.	Dirty debris bag. Nozzle height set too high or too low. Hose kit cap missing. Clogged nozzle or exhaust. Excessive quantity of debris.	Clean debris bag. Shake bag clean or wash. Adjust nozzle height. Check for hose kit cap. Unclog nozzle or exhaust (see page 5). Allow air to feed with debris.
Abnormal vibration.	Loose or out of balance impeller or loose engine.	Check impeller and replace if required. Check Engine.
Engine will not start.	Throttle in off position. Out of gasoline. Bad or old gasoline. Spark Plug wire disconnected. Dirty air cleaner.	Check stop switches, throttle, and gasoline. Connect spark plug wire. Clean or replace air cleaner. Or contact a qualified service person.
No self propelling.	Operator's bail not releasing clutch. Broken or out of adjustment clutch cable. Worn or broken clutch assembly. Bracket control assembly (item 112) out of adjustment.	Adjust clutch cable. Adjust bracket control assembly. Replace any worn or damaged or malfunctioning parts.
Self propelled drive will not release.	Clutch cable out of adjustment. Clutch not lubricated and is locked-up.	Adjust clutch cable. See page 9 Clutch Adjustment. Oil clutch.
Engine is locked, will not pull over.	Debris locked inside impeller. Engine problem.	See page 5, Contact an engine servicing dealer for engine problems.

PARTS LIST & TROUBLE SHOOTING, 12 & WARRANTY PROCEDURE

22.1


Engine Service and Warranty

Contact your nearest engine manufacturer's authorized servicing dealer.


21

Serial Plate

Record your machine model, serial number and date-of-purchase and where purchased



96



CE95

1803 S. Jefferson P.O. Box 308
Lee's Summit, Mo. 64063 / USA
(816) 524-9666 FAX (816) 524-6983

Model

Serial No.

Unit (weight)

lbs kg

Engine Power

kW min⁻¹

Operator

Purchase Date _____ Purchased from _____

22

WARRANTY PROCEDURE

Please fill in the WARRANTY CARD and send the upper part to Billy Goat. The WARRANTY terms are stated on the lower part which remains with the user. Whenever a Billy Goat Machine is faulty due to a defect in material and / or workmanship, the owner should make a warranty claim as follows:

The Machine should be taken to the dealer from whom it was purchased or to an authorized Billy Goat dealer.

The owner should present the remaining half of the Warranty Registration Card, or, if this is not available, the invoice or receipt.

The Warranty Claim will be filled in by the authorized Billy Goat Dealer, who will send it with the faulty part to Billy Goat headquarters.

The Quality / Service department at Billy Goat headquarters will study the claim and parts and will notify their conclusions.

The decision by the Quality / Service department at Billy Goat headquarters to approve or reject a Warranty claim is final and binding.

Note: To process a Warranty Claim, it is necessary to quote the Model & Serial number who are printed on the Billy Goat Serial Plate.



BILLY GOAT INDUSTRIES INC.
P.O. BOX 308 (1803 S JEFFERSON LEE'S SUMMIT, MO. 64063 / USA
PHONE: 816-524-9666 FAX: 816-524-6983