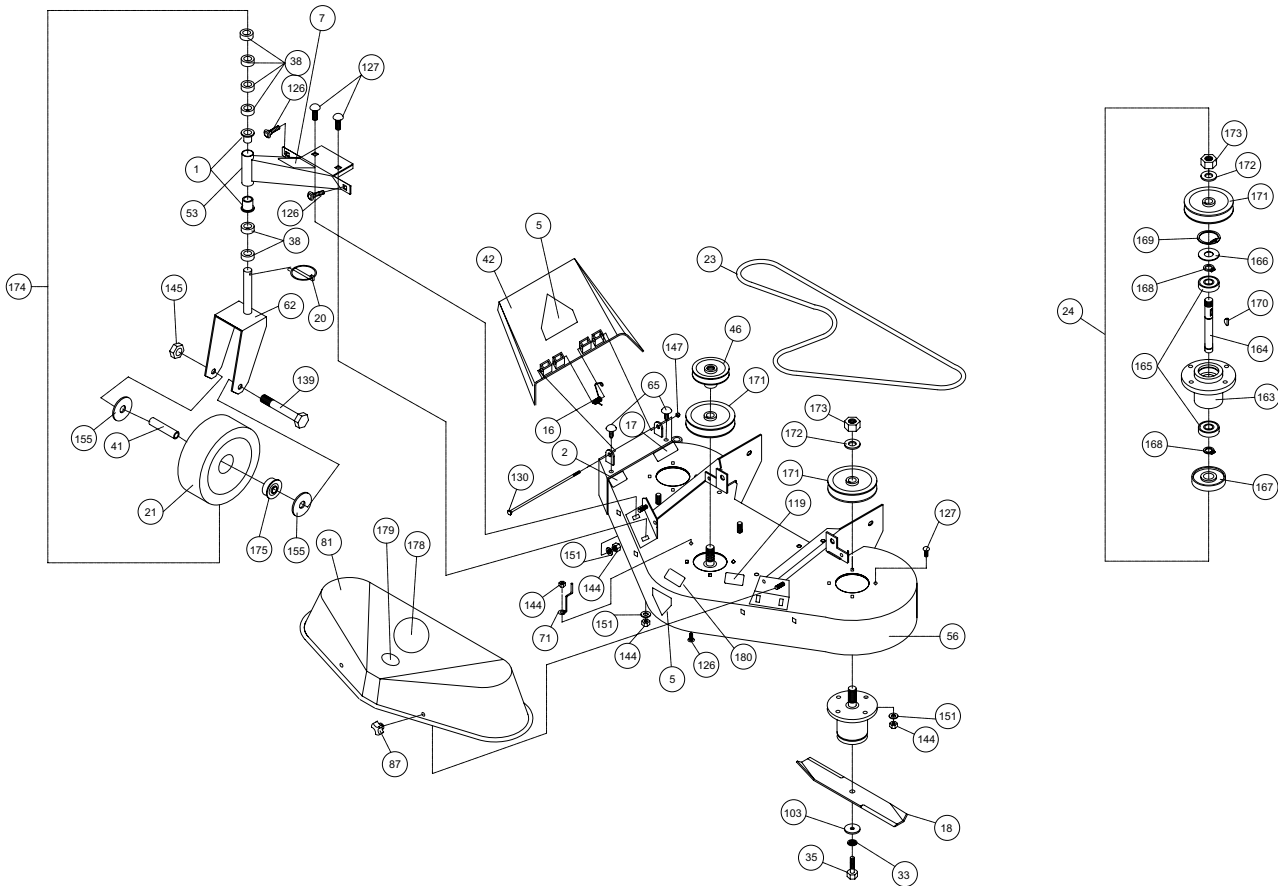




**18 PARTS DRAWING**

**FM3300IN & FM3300INE  
DECK ASSEMBLY**

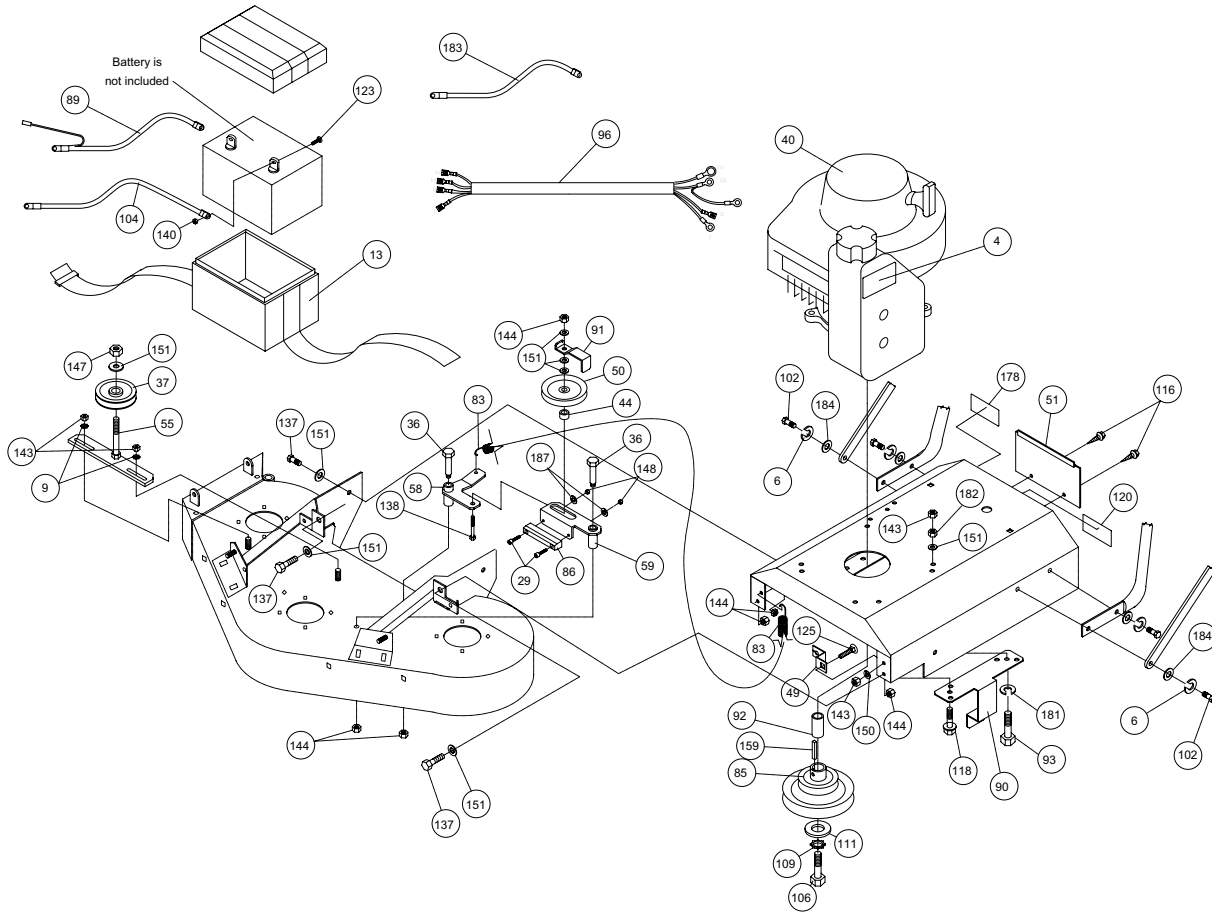


ITEM NO.	DESCRIPTION	FM3300INE QTY	FM3300IN QTY	ITEM NO.	DESCRIPTION	FM3300INE QTY	FM3300IN QTY
		PART NO.	PART NO.			PART NO.	PART NO.
1	BUSHING PIVOT	360183	360183	126	BOLT CARRIAGE 3/8-16X1" ZP	8024058	8024058
2	LABEL DANGER FLY	810736	810736	127	BOLT CARRIAGE 3/8-X 1 1/4	8024059	8024059
5	LABEL WARNING	400424	400424	130	SCREW CAP 1/4 - 20 X 7"	8041023	8041023
7	LABEL HGT. GUIDELINE	520159	520159	139	SCREW CAP 1/2-13 X 4 1/2	8041107	8041107
16	SPRING EXHAUST CHUTE	510205	510205	144	NUT 3/8-16 LOCK NYLON	8160003	8160003
17	LABEL WARNING MOWER	510206	510206	145	NUT 1/2-13 LOCK NYLON	8160005	8160005
18	BLADE 11.88"	520001	520001	147	NUT 1/4-20 LOCK NYLON	8160001	8160001
20	LYNCH PIN 3/16" X 1 9/16	520004	520004	151	WASHER 5/16" FC	8171003	8171003
21	WHEEL AND TIRE 8" ASSY.	520005	520005	155	WASHER 3/4 FC	8172015	8172015
23	BELT SPINDLE DRIVE	520007	520007	163	HOUSING SPINDLE	520008-01	520008-01
24	SPINDLE ASSY FM	520008	520008	164	SHAFT SPINDLE 1215 C. D. S.	520008-02	520008-02
33	WASHER 1/2 INNER TOOTH	520025	520025	165	BEARING BALL 6305-25	520008-03	520008-03
35	SCREW CAP 1/2-20X1.25	520028	520028	166	WASHER	520008-04	520008-04
38	BUSHING CASTER SPACERS	520034	520034	167	SHIELD	520008-05	520008-05
41	SPACER FRONT CASTER	520041	520041	168	RETAINING RING	520008-06	520008-06
42	EXHAUST CHUTE DEFLECT.	520042	520042	169	RETAINING RING	520008-07	520008-07
46	PULLEY DECK FRONT DRIVE	520047	520047	170	WOODRUFF KEY # 605	520008-08	520008-08
53	BRKT CASTER ARM FM WA	520067-S	520067-S	171	PULLEY 4.75" DIA. 3/4" BORE	520008-09	520008-09
56	DECK WA W/ LABELS	520071-S	520071-S	172	MACHINERY BUSHING 3/4"	520008-10	520008-10
62	BRACKET CASTER FM WA	520161	520161	173	NUT 3/4-16 NYLON HEX	520008-11	520008-11
65	PLUG 3/8" BUTTON HEAD	520081	520081	174	FRONT CASTER ASSY.	520140	520140
71	WIRE BELT FINGER	520088	520088	175	BEARING CASTER WHEEL	520124	520124
81	GUARD BELT W/ LABELS FM	520100-S	520100-S	178	LABEL BGI BIG CIRCLE	430303	430303
87	KNOB 3 PRONG 1/4"	520109	520109	179	LABEL 33" CUT FM	520115	520115
103	WASHER 1/2" X 2	610308-P	610308-P	180	LABEL MADE IN USA	520116	520116
119	LABEL DANGER	900327	900327				



# 18 PARTS DRAWING

## FM3300IN & FM3300INE ENGINE ASSEMBLY

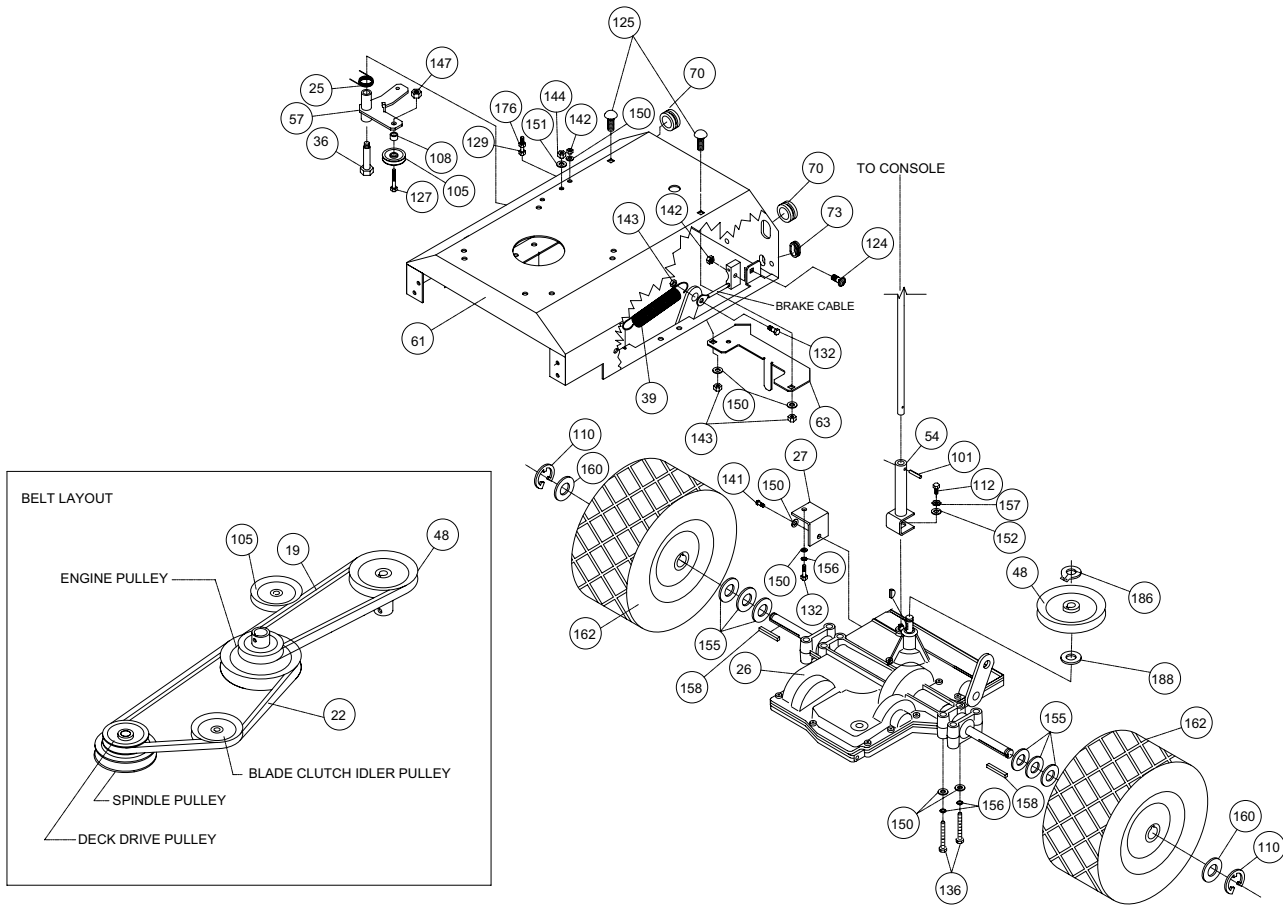


ITEM NO.	DESCRIPTION	FM3300INE QTY	FM3300IN QTY	ITEM NO.	DESCRIPTION	FM3300INE QTY	FM3300IN QTY
		PART NO.	PART NO.			PART NO.	PART NO.
4	LABEL DO NOT FILL HOT	400268	400268	104	CABLE BATTERY BLACK 10"	790133	-
6	WASHER SPLIT LOCK 3/8"	8177012	8177012	106	SCREWCAP 7/16 X 2 1/4 GR 8	830114	830114
9	WASHER 5/16" TWISTED LK.	430298	430298	109	WASHER LOCK 7/16 TWIST	850132	850132
13	BOX BATTERY ASSY	500300	-	111	WASHER ENGINE PULLEY	850443	850443
29	SCREW SOCKET #10 X 1"	520018	520018	116	SCREW 1/4" - 20 X 5/8"	890359	890359
36	BOLT SHOULDER 1/2" X 2"	520031	520031	118	SCREWCAP 3/8" 1 1/2" TAP	890408	890408
37	IDLER PLASTIC 4" X 0.375	520032	520032	120	LABEL GUARDS	900327	900327
40	ENGINE 13 HP B&S	520169	520168	123	BOLT CARRIAGE 1/4" X 3/4"	8024039	8024039
44	SPACER NYLON BRAKE	520045	520045	125	BOLT CARRIAGE 5/16" X 1"	8024040	8024040
49	BRKT CLUTCH CABLE FM	520052	520052	137	SCREW CAP 3/8"-16 X 1 HEX	8041050	8041050
50	PULLEY IDLER BLADE DRIVE	520061	520061	138	SCREW CAP 3/8"-16 X 2 HEX	8041054	8041054
51	PLATE ACCESS DOOR FM	520062	520062	140	NUT LOCK 1/4"-20 NYLON	8160001	8160001
55	BRKT IDLER DECK BLADE WA	520070	520070	143	NUT LOCK 5/16"-18 NYLON	8160002	8160002
58	PLATE BLADE CLUTCH IDL.	520073	520073	144	NUT LOCK 3/8"-16 NYLON	8160003	8160003
59	PLATE BLADE CLUTCH BK	520074	520074	147	NUTLOCK 3/8"-16 LW TH ZP	8161042	8161042
83	SPRING TENSION WIRE	520103	520103	148	NUT LOCK #10	8155007	8155007
85	PULLEY DOUBLE 6 / 3.5 FM	520105	520105	150	WASHER 1/4" FC	8171002	8171002
86	BRAKE PUCK FM	520106	520106	151	WASHER 5/16" FC	8171003	8171003
89	CABLE BATTERY POS 10"	520111	-	159	KEY 1/4" SQ. X 2.25" LONG	9201123	9201123
90	BRACKET BELT FINGER	520112	520112	178	LABEL PATENT PENDING	500183	500183
91	BRACKET BELT FINGER BK.	520113	520113	181	WASHER SPLIT LOCK 5/16"	8177011	-
92	SPACER HUB 1" BORE 1.5"	520114	520114	182	NUT JAM 5/16"	8142002	-
93	SCREWCAP 5/16" -18 x 2"	8041032	-	183	POSITIVE CABLE 10"	520123	-
96	WIRE HARNESS	520118	-	184	WASHER 3/8" FLATCUT	8171004	8171004
102	SCREWCAP 3/8" - 1.25"	8041051	8041051	187	WASHER #10 FLATCUT	8171001	8171001



**18 PARTS DRAWING**

**FM3300IN & FM3300INE  
DRIVE ASSEMBLY**

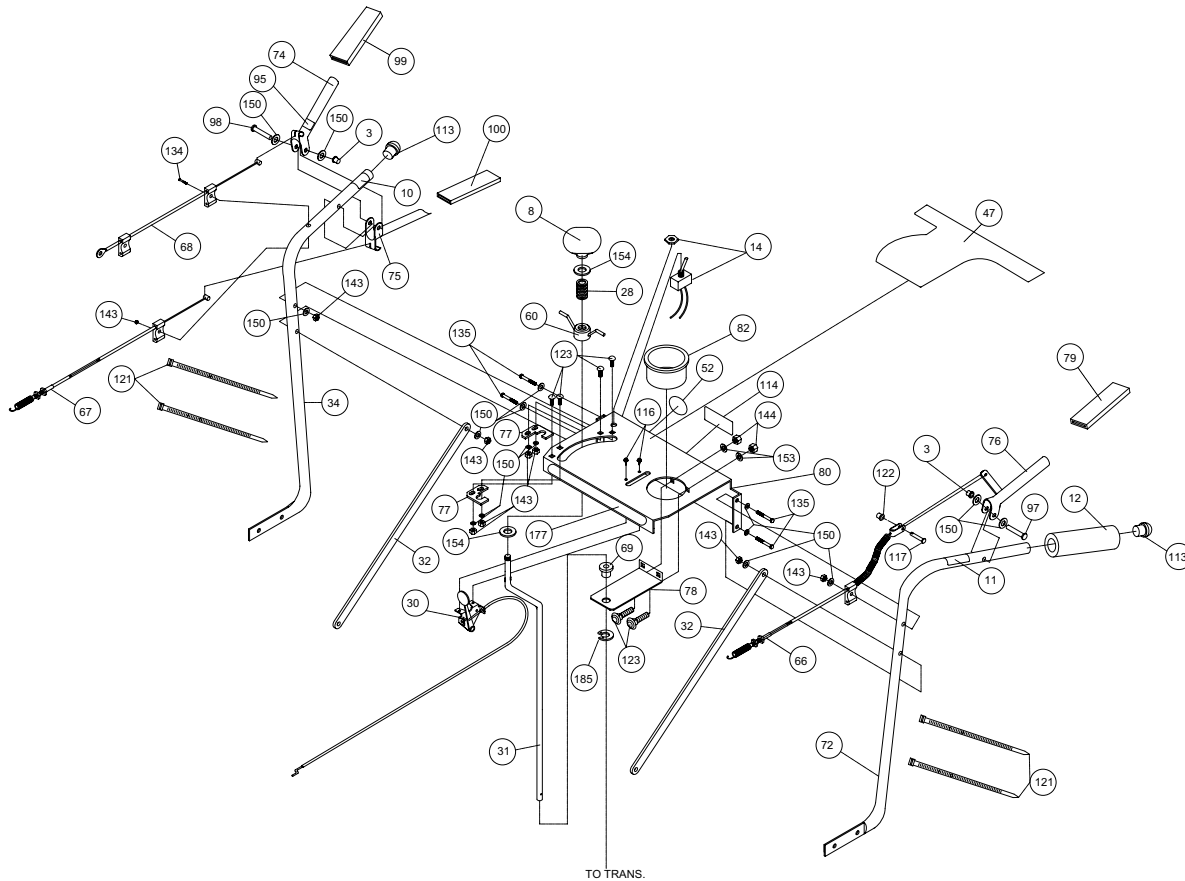


ITEM NO.	DESCRIPTION	FM3300INE QTY	FM3300IN QTY	ITEM NO.	DESCRIPTION	FM3300INE QTY	FM3300IN QTY
		PART NO.	PART NO.			PART NO.	PART NO.
19	BELT TRANS DRIVE FM	520003	520003	127	SCREWCAP 3/8-16 X 1 3/4	8041053	8041053
22	BELT BLADE DRIVE FM	520006	520006	129	SCREWCAP 1/4"-20 X 2.75"	8041013	8041013
25	SPRING TORSION WIRE	520009	520009	132	SCREWCAP 5/16-18 X 1.25"	8041029	8041029
26	TRANSAXLE 5SPD FM	520010	520010	136	SCREW CAP 5/16 - 18 x 2.75	8041035	8041035
27	BRACKET T-AXLE SUPPORT	520016	520016	141	SCREW SELF TAP 5/16	8123128	8123128
36	BOLT SHOULDER 1/2" X 2"	520031	520031	142	NUT LOCK 1/4-20 NYLON	8160001	8160001
39	SPRING BRAKE	520037	520037	143	NUT LOCK 5/16-18 NYLON	8160002	8160002
48	PULLEY 5" OD "A" SEC. FM	520181	520181	144	NUT LOCK 3/8-16 NYLON	8160003	8160003
54	SHIFT LINKGAGE FM	520179	520179	147	NUTLOCK 3/8"-16 LW TH ZP	8161042	8161042
57	BRKT IDLER GRND DRIVE	520072	520072	150	WASHER 1/4" FC	8171002	8171002
61	BASE ENGINE W/INSERTS	520177	520177	151	WASHER 5/16" FC	8171003	8171003
63	BRACKET BELT GUIDE DRV	520078	520078	152	WASHER 1/4 SAE	8172007	8172007
70	GROMMET RUBBER 1"	520087	520087	155	WASHER 3/4 FC	8172015	8172015
73	GROMMET RUBBER 1.25"	520092	520092	156	WASHER LOCK 5/16 SPLIT	8177011	8177011
101	ROLL PIN 1/4" X 1.0 IN LONG	520156	520156	157	WASHER LOCK 1/4" EXT.	8181007	8181007
105	PULLEY IDLER TENSION	800260	800260	158	KEY 3/16 x 2 1/8	9201087	9201087
108	TUBE PIVOT IDLER VQ	830526	830526	160	WASHER 3/4 THIN	850238	850238
110	RING SNAP 0.75	850230	850230	162	WHEEL AND TIRE 13"	830177	830177
112	SCREW CAP 1/4-28X1/2" GR 5	850408	850408	176	NUT JAM 1/4-20	8143001	8143001
124	BOLT CARR. 1/4-20X1.25"	8024023	8024023	186	RING SNAP 5/8 T.A.	850233	850233
125	BOLT CARR. 5/16-18X1"	8024058	8024058	188	WASHER 0.906 OD X 0.656	350280	350280



# 18 PARTS DRAWING

## FM3300IN & FM3300INEB HANDLE ASSEMBLY

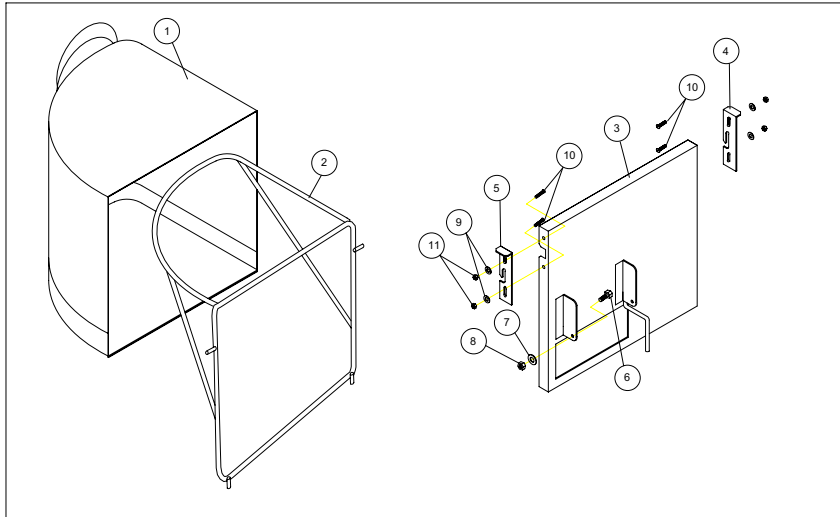


TO TRANS.

ITEM NO.	DESCRIPTION	FM3300INE QTY	FM3300IN QTY	ITEM NO.	DESCRIPTION	FM3300INE QTY	FM3300IN QTY
		PART NO.	PART NO.			PART NO.	PART NO.
3	PALNUTS 3/8"	360218	2	79	GRIP LEVER ORANGE	520098	1
8	KNOB 1/2" THREAD	430128	1	80	CONSOLE FM W/ LABELS	520146	1
10	LABEL CLUTCH DRIVE	500176	1	82	CUP HOLDER	520102	1
11	LABEL BLADE DRIVE	500177	1	95	LABEL PUSH TO RELEASE	520117	1
12	GRIP HANDLE 1" x 7"	500267	1	97	CLEVIS PINS 3/8 - 1.625	520119	1
14	SWITCH ELECTRIC W/ NUT	500307	1	98	CLEVIS PINS 3/8 - 2.125	520120	1
28	SPRING COMPRESSOR 1/2"	520017	1	99	GRIP LEVER 0.125-1.00-3.75	520121	1
30	CONTROL THROTTLE POS	520019	1	100	GRIP LEVER 0.125-0.75X3.75	520122	1
31	ROD SHIFT LINKGAGE	520020	1	113	PLUG TUBE INSERT 1"	890132	2
32	BAR HANDLE BRACE FM	520024	2	114	LABEL EAR-EYE-BREATHE	890254	1
34	HANDLE RH FM	520026-S	1	116	SCREW 1/4" - 20 X 5/8	890359	2
47	LABEL CONSOLE	520048	1	117	PIN CLEVIS 5/16-24	830513	1
52	LABEL READ MANUAL	890301	1	121	TY-WRAP	900407	4
60	SHIFT LOCK HANDLE FM WA	520075	1	122	PAL NUTS 5/16"	360203	1
66	CABLE CLUTCH BLADE FM	520083	1	123	BOLT CARRIAGE 5/16-18 X 3/4	8024039	6
67	CABLE CLUTCH DRIVE FM	520084-S	1	134	SCREW CAP 5/16-18 X 2	8041032	1
68	CABLE CLUTCH BRAKE FM	520085	1	135	SCREWCAP 5/16-18 x 2 1/4	8041033	4
69	BUSHING NYL SNAP-LOCK	520086	1	143	NUT LOCK 5/16-18 NYLON	8160002	9
72	HANDLE LH FM	520091-S	1	144	NUT LOCK 3/8-16 NYLON	8160003	2
74	LEVER CONTROL BRAKE FM	520093-S	1	150	WASHER 1/4" FC	8171002	16
75	LEVER CONTROL DRIVE FM	520094	1	153	WASHER 5/16 SAE	8172008	2
76	LEVER CONTROL BLADE FM	520095	1	154	WASHER 1/2" SAE ZP	8172011	2
77	PLATE REV LOCK OUT	520096	2	177	LABEL BGI OVAL FM	520110	1
78	BRACKET SHIFT PIVOT FM	520097	1	185	RETAINING RING EXTERNAL	520176	1

19.1 GRASS CATCHER KIT 520142

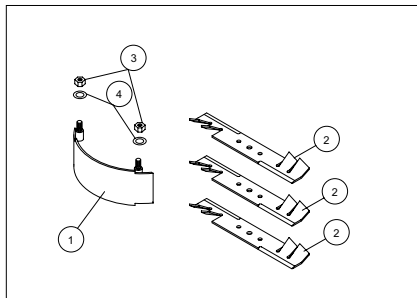
Purpose: Easily convert your mower to bag grass and leaves.



Item No.	Part No.	Description	Qty
1	520012	GRASS CATCHER BAG	1
2	520038	WIRE FRAME GRASS CATCHER FM	1
3	520069	GRASS CATCHER MOUNT WA FM	1
4	520059	BRACKET GRASS CATHCER LATCH L FM	1
5	520060	BRACKET GRASS CATHCER LATCH R FM	1
6	8041006	SCREWCAP 1/4" - 20 X 1" ZP	1
7	8171002	WASHER 1/4" FC ZP	1
8	8160001	NUTLOCK 1/4" - 20	1
9	520126	WASHER #8 SAE	4
10	520128	SCREW ROUND HEAD #8-32 X 3/4" CLEAR ZINC	4
11	520129	NUTLOCK #8 - 32	4
12	520147	LIT GRASS CATCHER KIT FM	1

19.2 MULCHING KIT 520144

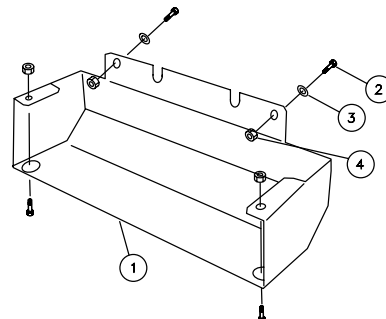
Purpose: Reduces lawn clippings to fine nutrient-rich particles that filter down to the soil.



Item No.	Part No.	Description	Qty
1	520014	MULCHING PLATE WA FM	1
2	520002	BLADE 11.88" MULCHING	3
3	8161042	NUTLOCK 3/8"-16 THIN HGT	2
4	8171003	WASHER 5/16 FC	2
5	520148	LIT MULCHING KIT FM	1

19.3 TRANSAXLE GUARD KIT 520155

Purpose: To protect the transaxle from accidental contact from concrete curbs or other hazards.



Item No.	Part No.	Description	Qty
1	520151	BRACKET GUARD TRANSAXLE FM	1
2	8041028	SCREWCAP 5/16-18X1"	4
3	8171002	WASHER 1/4 FC	2
4	8160002	NUTLOCK 5/16 - 18	4