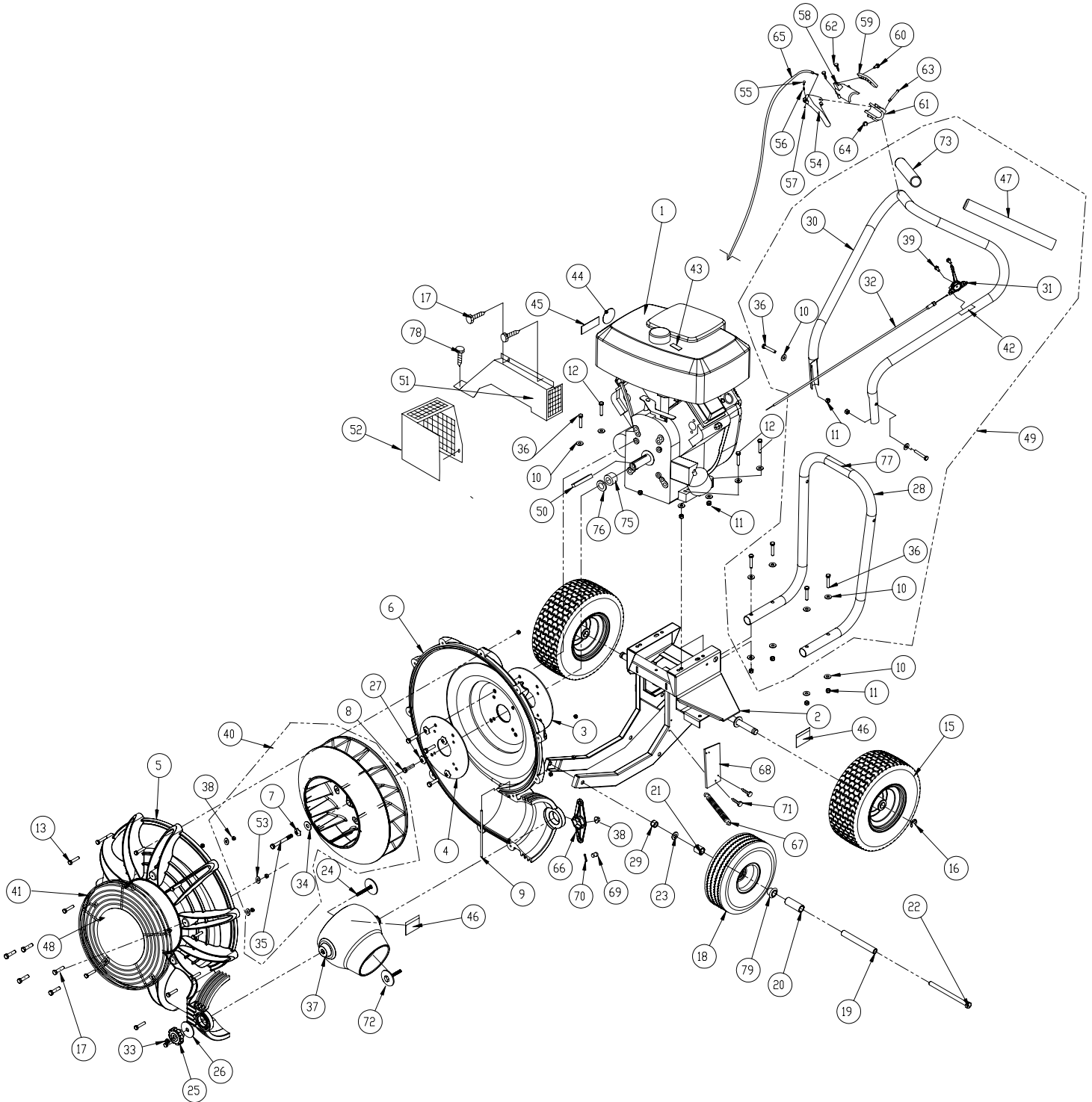




ILLUSTRATED PARTS LIST





FORCE BLOWER 18 Owner's Manual

PARTS LIST

F 1801V			
ITEM NO.	DESCRIPTION	PART NUMBER	QTY.
1	ENGINE 18 VANGUARD	440173	1
2	BASE ENGINE WA	440011	1
3	SPACER RING ENGINE	440174	1
4	PLATE REINFORCE HOUSING	440010	2
5	HOUSING FRONT MOLDED	440023	1
6	HOUSING BACK MOLDED	440024	1
7	WASHER LOCK 3/8 TWISTED TOOTH	400502	4
8	SCREW CAP 3/8-16X1 1/2 ZP	8041052	4
9	ROD HAND STOP	440057	1
10	WASHER 5/16 FLAT WASHER Z/P	8171003	20
11	NYLON INSERT LOCKNUT 5/16-18	8160002	10
12	SCREW CAP 5/16-18 X 1.75 ZP	8041031	3
13	SCREW CAP 1/4-20 x 1 1/2	8041008	11
14	NUT FLANGE 1/4-20	900455	11
15	WHEEL & TIRE 13" X 5" PNEUMATIC	440054	2
16	RING RETAINING 3/4	850230	2
17	SCREW SM 1/4 x 1 DRILL PT.	430208	2
18	WHEEL ASSY 10" PNEUMATIC	400295	1
19	SPACER FRONT AXLE	440050	1
20	SPACER LH WHEEL	440052	1
21	SPACER RH WHEEL	440051	1
22	SCREW CAP 1/2-13 x 7"	8041235	1
23	WASHER FLAT 1/2" SAE	8172011	1
24	WASHER W/BOLT WA	440075	1
25	KNOB 3/8-16 SOLID HUB	811230	1
26	WASHER 2.25 OD x .515 ID x .134 ZP	610308-P	1
27	WASHER LOCK 3/8 S/T MED	8177012	1
28	HANDLE LOWER	440034	1
29	NYLON INSERT LOCKNUT 1/2-13	8160005	1
30	HANDLE UPPER	440035	1
31	CONTROL THROTTLE	440013	1
32	CABLE THROTTLE CONTROL	440178	1
33	NUT LOCK 3/8-16 LT W T THIN ZP	8161042	1
34	WASHER 1.5 O.D. X 0.453 X 0.5	440176	1
35	SCREW CAP 3/8 - 24 X 4 1/2" GR. 8 (33-38 ft. lbs)	440208	1
36	SCREW CAP 5/16"-18 X 2" ZP	8041032	7
37	DIRECTOR CONE 6"	440170	1
38	NUT LOCK 1/4" - 20 HEX ZP	8160001	6
39	SCREW SM #10-24X1/2" DRILL POINT	8122064	2
40	IMPELLER ASSEMBLY 17"	440236	1
41	GRILL FRONT BLOWER	440171	1
42	LABEL THROTTLE CONTROL	810656	1
43	LABEL HOT ENGINE	400268	1
44	LABEL READ	890301	1
45	LABEL EAR EYE BREATHING	890254	1
46	LABEL DANGER FLYING DEBRIS	810736	1
47	GRIP 1-1/4" ID x 13"	440012	1
48	LABEL FORCE	440172	1
49	HANDLE ASSY UPPER	440104	1
50	KEY 1/4" SQ X 2.25	9201123	1
51	GUARD MANIFOLD	811059	1
52	GUARD MUFFLER	811058	1
53	WASHER FLAT 1/4	8171002	5
54	HANDLE DIVERTER FORCE	440119	1
55	PIN LATCH DIVERTER	440118	1
56	SPRING COMPRESSION 0.281 X 0.88	440129	1
57	RING RETAINING .122 DIA	440125	1
58	SADDLE UPPER DIVERTER	440115	1
59	PLATE LOCK DIVERTER	440116	1
60	SCREW PLASTITE #6-19 X 5/8"	440126	2
60	SCREW PLASTITE #6-19 X 5/8"	440126	2
61	SADDLE LOWER DIVERTER	440114	1
62	SCREW PLASTITE #10-14 X 1"	440132	2
63	PIN PIVOT DIVERTER CONTROL	440123	1
64	RING RETAINING 5/16	430327	1
65	CABLE ASSY	440117	1
66	DIVERTER PIVOT ADAPTOR	440121	1
67	SPRING EXTENSION 0.468 X 5.25	440130	1
68	BRACKET DIVERTER FORCE	440127	1
69	PIN CLEVIS 1/4 X 3/4	440124	1
70	.051 X 3/4" HITCH PIN CLIP	440193	1
71	SCREW TCS #12-24 X 5/8" TYPE 1	440147	2
72	ADAPTOR MOUNT WA	440122	1
73	GRIP 1-1/4" ID x 9.5" LONG	440146	1
74	TY-WRAP	900407	5
75	SPACER 1" ID X 2" OD X 0.890 TK	830112	1
76	SPACER 1" ID X 2" OD X 0.265 TK	830113	1
77	VIBRATION LABEL	440191	1
78	SCREW SELF TAP 1/4" - 20 X 5/8"	890359	1
79	FORCE WHEEL BEARING .751 ID	440055	2