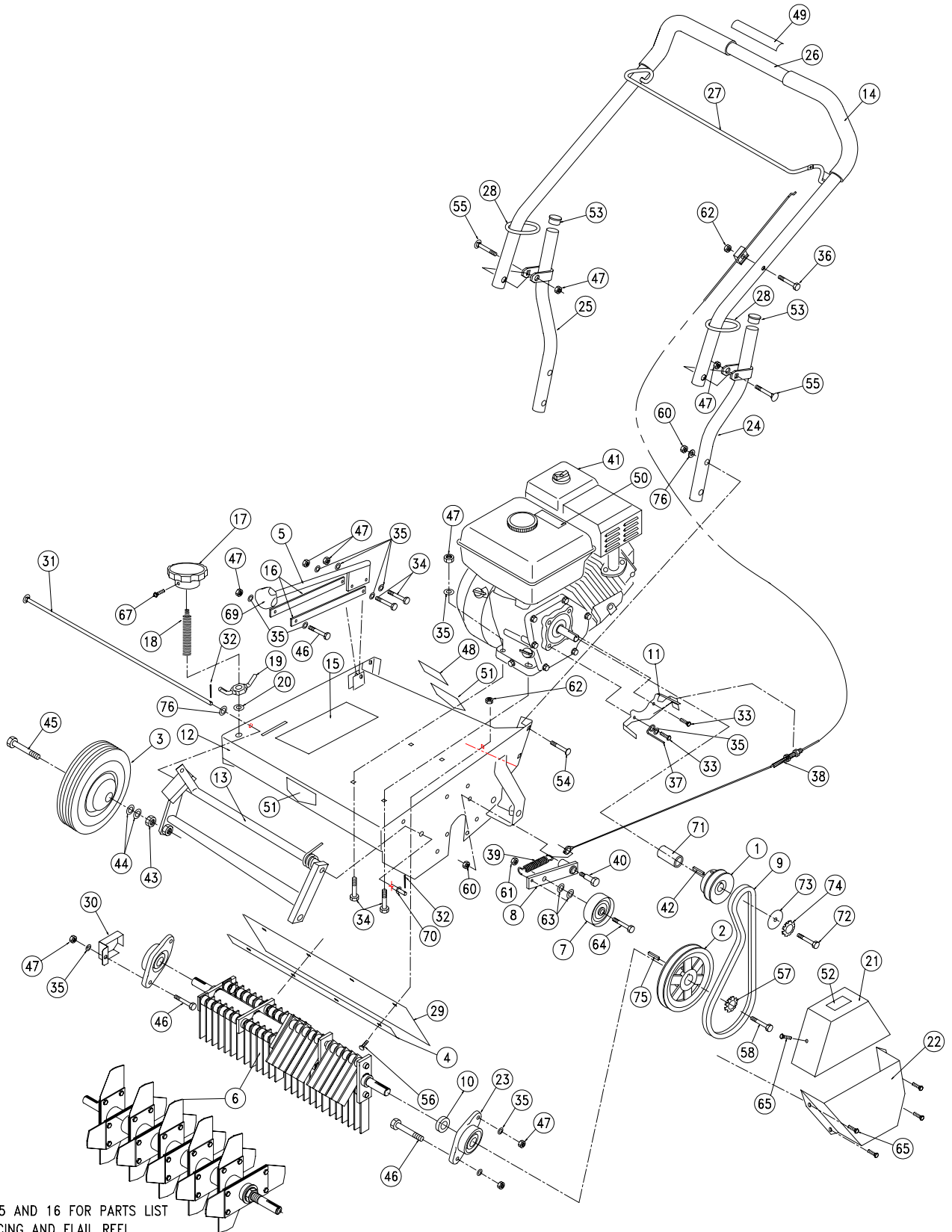




PARTS DRAWING CR550HC



SEE PAGE 15 AND 16 FOR PARTS LIST
FOR SLICING AND FLAIL REEL

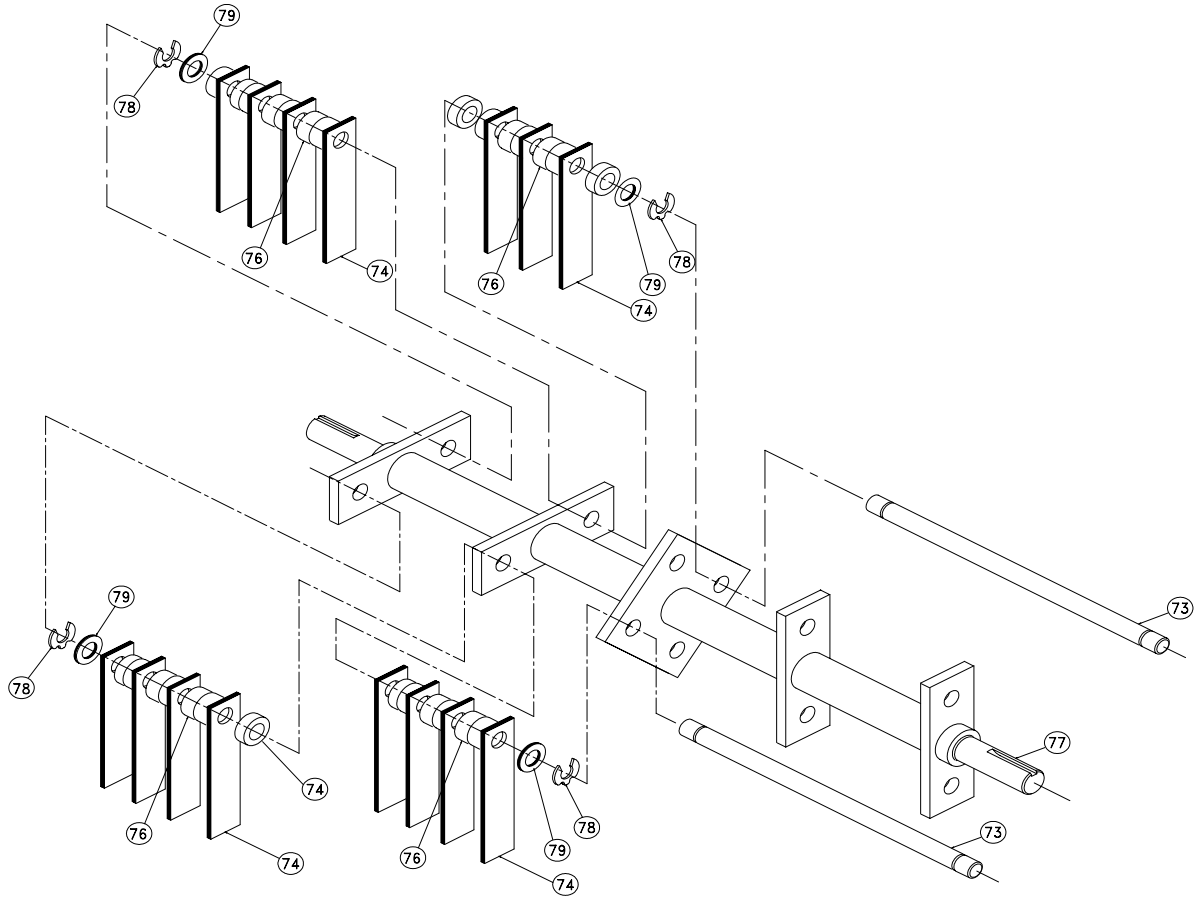


CR Owner's Manual

PARTS LIST

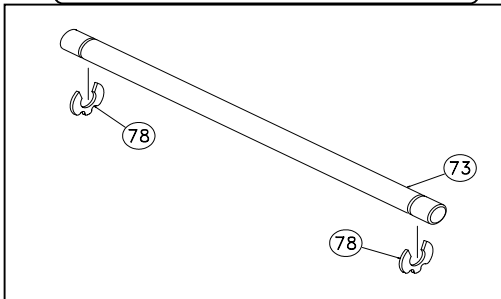
item no.	PARTS LIST	CR 550HC Part No.	QTY
1	Pulley 3.0" O.D.	350101	1
2	Pulley 5.5" O.D. X ¾"	350206	1
3	Wheel 8" Semi-Pneu White	350236	4
4	Bar Strap	350211	1
5	Rod Height Wa	350220	1
6	Reel Flail Assy (see page 10 & 11 for parts list and detailed dwg.)	350241	1
7	Pulley Idler 2.75"	350114	1
8	Arm Idler W A	350115	1
9	Belt 5L X 34"	350207	1
10	Spacer Reel Pulley	350118	1
11	Bracket Belt Finger	350208	1
12	Chassis W A W / Label	350235	1
13	Frame Front W A	350213	1
14	GRIP 1" x 13"	400570	2
15	Label Instr. Hgt. Adj.	350224	1
16	Link Height Bar	350223	2
17	Knob Height Adj.	850154	1
18	STUD 3/4"-10 X 5 1/2" PLTD	810538	1
19	LOCKNUT ASSY	800227	1
20	WASHER 3/4" NYLON	800109	1
21	Guard Belt Top Wa	350248	1
22	Guard Belt Bottom Wa	350249	1
23	Bearing ¾" Cast Flange	350209	2
24	Handle Lower LH W A	350134	1
25	Handle Lower RH W A	350135	1
26	Handle Upper PR500	350136	1
27	Bail Clutch W A	350137	1
28	Loop Folding Handle	350138	2
29	Deflector Rubber	350210	1
30	Guard Shaft CR	350250	1
31	PIN LIFT FRONT 3/8" X 2 1 3/16" Long	350212	1
32	PIN COTTER 1/8" X 1" Z/P	900471	1
33	SCREW CAP 5/16-24x3/4" GR5	8042026	2
34	SCREW CAP 5/16 - 18 x 1 1/2	8041030	6
35	WASHER 1/4" FLAT Z/P	8171002	13
36	SCREW CAP 1/4"-20X1.5"	8041008	1
37	BELT FINGER WIRE	350301	1
38	Cable Clutch Reel PR500	350181	1
39	Spring Extension	350300	1
40	Bolt Shoulder 1/2" X 1"	500114	1
41	ENGINE HONDA 5.0 HP (CR550HC), HONDA 5.5 (CR550H)	430272	1
	ENGINE HONDA 5.5 HP (CR550H)	600115	1
	ENGINE SUBARU 4.5 OHV (CR550S)	610437	1
42	KEY 3/16" X 1"	9201078	1
43	NUT 1/2 - 13 JAM	8162005	4
44	WASHER 1/2 SAE	8172011	8
45	SCREW CAP 1/2-13 x 3" Z/P	8041102	4
46	SCREW CAP 5/16"-18X1 1/4" HCS ZP	8041029	5
47	NUT LOCK 5/16-18	8160002	13
48	LABEL DANGER THROWN OBJECT	810736	1
49	LABEL CLUTCH VQ	830503	1
50	LABEL HOT ENGINE	400268	1
51	LABEL WARNING	400424	2
52	LABEL DANGER GUARD	900327	1
53	PLUG CAP 1" RD	890132	2
54	BOLT CARRAIGE 3/8-16 x 1 3/4	8024061	4
55	BOLT CARRAIGE 5/16-18 x 1 3/4	8024043	2
56	SCREW CAP 1/4-20x1"	8041006	4
57	LOCK WASHER TWISTED TOOTH	400502	1
58	SCREW CAP 3/8-16x1" REEL ASSEMBLY	8041050	1
60	NUT LOCK 3/8-16	8160003	5
61	NUT LOCK 3/8-16 THIN	8161042	1
62	NUT LOCK 1/4-20	8160001	5
63	WASHER 5/16 FLAT CUT	8171003	2
64	SCREW CAP 3/8-16x1.5"	8041052	1
65	SCREW CAP SHEET METAL DRILL POINT 1/4X3/4	430208	6
66			
67	SCREW MACH. #10-24X2"	8059143	1
68			
69	Knob Height Adj.	430128	1
70	WASHER 5/16 SAE	8172009	1
71	SPACER CRANK CR HONDA	350338	1
72	SCREW CAP 5/16-24 x 1 1/4" GR. 8	400389	1
73			
74	WASHER TWISTED TOOTH	400389	1
75	KEY 3/16" X 5/8"	9201072	1
76	3/8 FLAT CUT WASHER	8171004	5

FLAIL REEL ASSY 350241



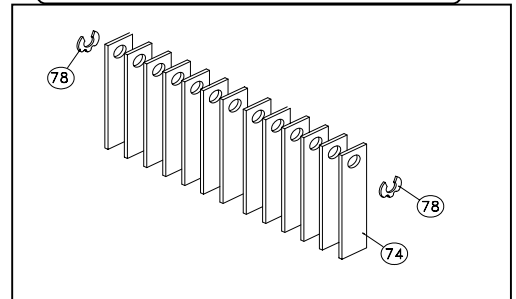
item no.	PARTS LIST	Part No.	QTY
73	SHAFT FLAIL BLADE	350141	4
74	BLADE FLAIL	350205	30
76	SPACER BUMPER 5/8" x 1/2"	350144	54
77	SHAFT WA FLAIL REEL	350145	1
78	CLIP LOCK 1/2"	350146	8
79	WASHER 1/2 SAE	8172011	8

FLAIL SHAFT KIT 350185



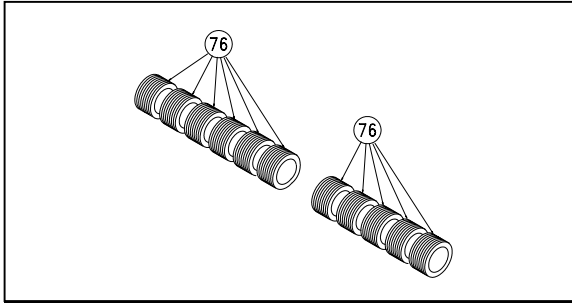
item no.	PARTS LIST	Part No.	QTY
73	SHAFT FLAIL BLADE	350141	4
78	CLIP LOCK 1/2"	350146	8

FLAIL BLADE KIT 350251



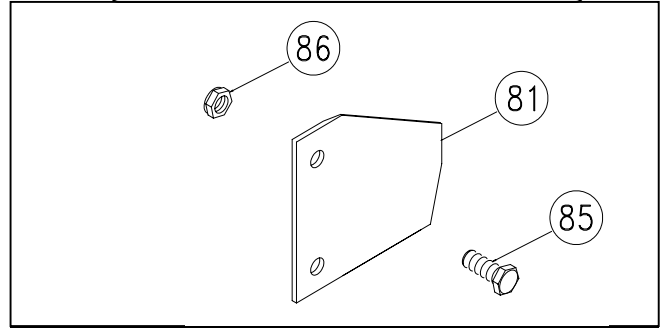
item no.	PARTS LIST	Part No.	QTY
74	BLADE FLAIL	350205	30
78	CLIP LOCK 1/2"	350146	8

SPACER BUMPER KIT 350258



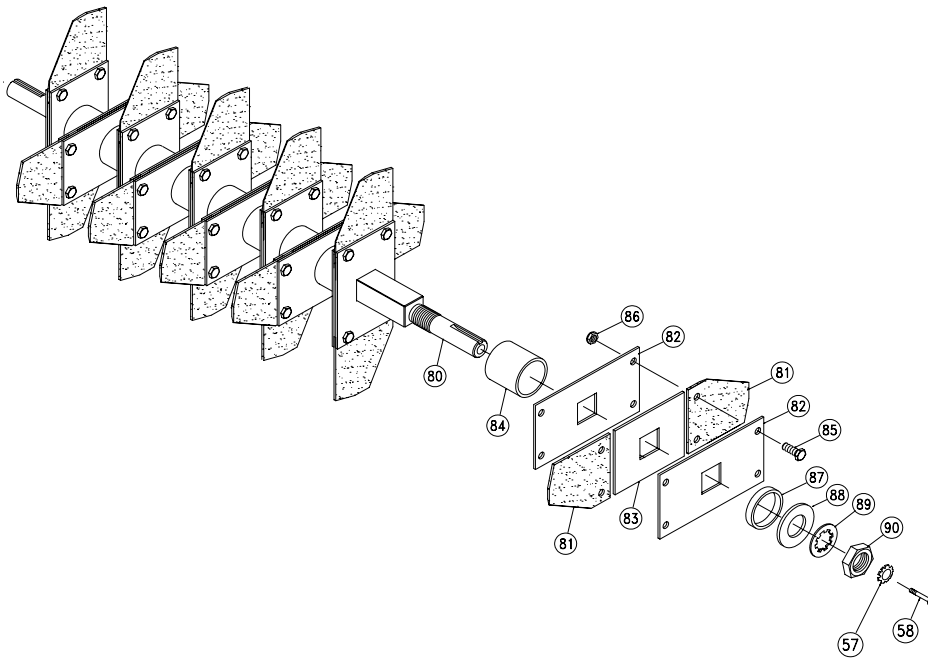
item no.	PARTS LIST	Part No.	QTY
76	SPACER BUMPER 5/8" x 1/2"	350144	54

SLICING BLADE KIT 350187



item no.	PARTS LIST	PR500 Part No.	QTY
81	BLADE SLICING REEL	350147	20
85	SCREWCAP 1/4-20 X 3/4 HCS ZP	8041004	40
86	NUT LOCK 1/4-20	8142004	40

SLICING REEL ASSY 350252



item no.	PARTS LIST	PR500 Part No.	QTY
57	LOCK WASHER 5/16 TWISTED TOOTH	430298	1
58	SCREWCAP 5/16 - 24 X 1" GR. 5	400164	1
80	SHAFT SLICING WA	350142	1
81	BLADE SLICING REEL	350147	20
82	PLATE BLADE MTG.	350253	20
83	SPACER BLADE MTG.	350254	10
84	SPACER BLADE ASSY	350150	9
85	SCREWCAP 1/4-20 X 3/4 HCS ZP	8041004	40
86	NUT LOCK 1/4-20	8142004	40
87	COLLAR SPACER	350152	1
88	WASHER 0.937 x 1.750 x 0.119	350153	1
89	WASHER LOCK 7/8 INT. TOOTH	350154	1
90	NUT JAM 7/8-14	350155	1