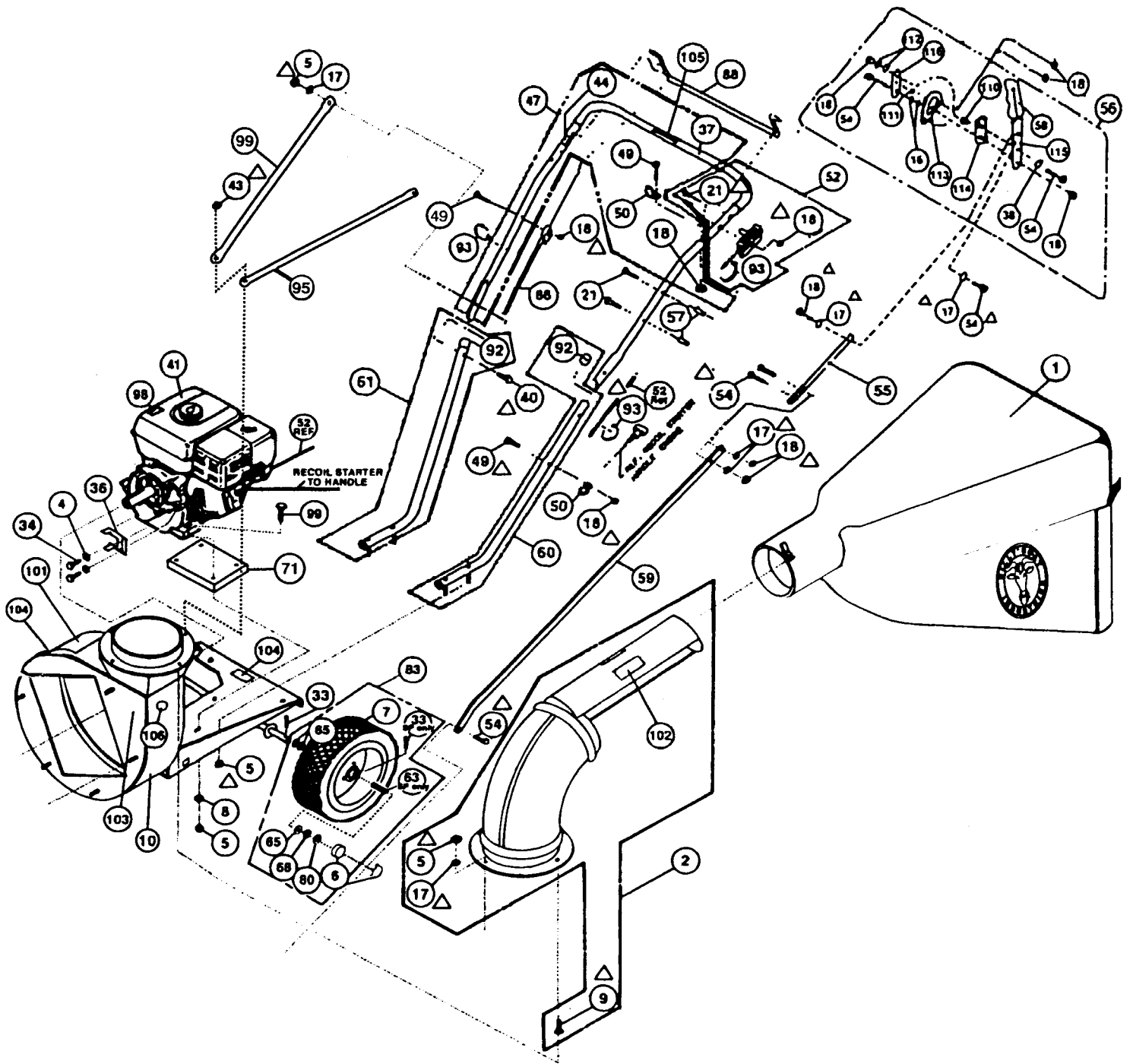


18 PARTS DRAWING

BG81, BG81SP



Item No.	19 PARTS LIST	Description	BG81	Qty.	BG81SP	Qty.
			Part No.		Part No.	
1	BAG (SERVICE STRAP ASSY NO. 900606) (SERVICE ZIPPER NO. 900478)		800730	1	800730	1
2	ELBOW ASS'Y (INCLUDES ITEM 5, 9, 17)		*810139	1	810139	1
3	WASHER, LOCK SPRING 1/4 MED		-	-	*8177010	1
4	WASHER, LOCK SPRING 5/16 MED		-	-	*8177011	5
5	NUT, LOCK 5/16-18		*8160002	20	*8160002	33
6	HUB CAP		900486	2	900486	2
7	WHEEL (PNEUMATIC PART NO. 400295)		400295	2	800994	2
8	WASHER, FLAT 5/16		*8171003	4	*8171003	4
9	SCREW, CAP 5/16-18 X 3/4		*8041026	4	*8041026	8
10	FRAME		800418	1	800419	1
11	KNOB, HAND		850154	2	850154	2
12	SCREW, MACHINE #10 - 24 X 2		*8059143	2	*8059143	2
13	NUT, LOCK CASTER		800227	2	800227	2
14	WASHER, 3/4 PLASTIC		800109	2	800109	2
15						
16	WASHER, FLAT CUT 1/4 (5/16 X 3/4 X 1/16)		*8171002	2	*8171002	11
17	WASHER, 5/16 SAE		*8172008	18	*8172008	18
18	NUT, LOCK 1/4-20		*8160001	14	*8160001	16
19	NUT, REGULAR 1/4-20		*8142001	2	*8142001	2
20	SCREW, CAP 1/4-28 X 1/2		-	-	850408	1
21	SCREW, CAP 1/4 - 20 NC x 1 3/4		*8041009	3	*8041009	3
22						
23	NOZZLE ASS'Y (INCLUDES ITEMS 97, 26, 95, 25, 24, 18)		800931	1	800931	1
24	LATCH SPRING		800311	1	800311	1
25	SCREW, CAP 1/4 - 20 X 3/4		*8041004	2	*8041004	2
26	CAP		800183	1	800183	1
27	SCREW CAP 7/16 - 20 X 1-1/4 GR 5 (TORQUE 60 FT - LBS)(81.4N.m)		800554	1	800554	1
28	WASHER LOCK 7/16 TWISTED TOOTH		850132	1	850132	1
29	KEY 1/4 SQ X 2.25 "		9201123	1	9201123	1
30	PARTS & LIT. BAG (INCL. 117(14), 5(10), 40(6), 93(3 push, 5 SP), 43(1), 54(3), 49(1), 9(4), 18(7 push, 8 SP), 19(2), 21(3), [SP only 45(1)])		800757	1	810166	1
31	IMPELLER ASSEMBLY (INCLUDES ITEMS 27, 28, 29, 32)		800988	1	800090	1
33	COTTER PIN 1/8 X 1		*8197031	2	*8197031	2
34	SCREW CAP 3/8-16 X 3/4		-	-	*8041048	2
35	WASHER LOCK 3/8		-	-	*8177012	4
36	GUARD BELT GUIDE		-	-	811053	1
37	GRIP HANDLE		400570	2	400570	2
38	WASHER LOCK 1/4 EXT		*8181007	1	*8181007	3
39	SCREW SM 1/4 x 3/8 HEX		*8122082	1	*8122082	3
40	SCREW CAP 5/16-18 X 2		*8041032	2	*8041031	2
41	ENGINE BRIGGS 10 HP INTEK IC		430352	1	430352	1
42						
43						
44	LABEL DRIVE		-	-	810207	1
45	EYE BOLT - CLUTCH LEVER		-	-	800312	1
46	KEY HI PRO 3/16 X 3/4		-	-	850234	1
47	HANDLE TOP ASS'Y (INCLUDES ITEMS 49(2), 50(2), 18(2))		810134	1	810134	1
48	SCREW SELF TAP 5/16 X 3/4 HEX		-	-	8123128	1
49	SCREW CAP 1/4-20 X 1 - 1/2		*8041008	3	*8041008	3
50	BAG LOOP		800178	3	800178	3
51	LABEL OIL CHAIN		-	-	830502	1
52	THROTTLE CONTROL ASS'Y (INCLUDES ITEMS 18, 21, 93)		810135	1	810135	1
53	WHEEL PROTECTOR		800169	2	800169	2
54	SCREW CAP 1/4-20 X 1		*8041006	6	*8041006	7
55	BAR LINK UPPER		811061	1	811061	1
56	DOOR NOZZLE FRICTION ASSY		830288	1	830288	1
57	SPACER		850198	2	850198	2
58	GRIP		850190	1	850190	1
59	LINK		810987	1	810987	1
60	LOWER HANDLE SECTION L.H. ASS'Y (INCLUDES ITEM 92)		800933	1	800933	1
61	LOWER HANDLE SECTION R. H. ASS'Y (INCLUDES ITEM 92)		800943	1	800943	1
62	DIFFERENTIAL WITH SPROCKET (DRIVE SPROCKET ONLY)		-	-	800996	1
63	KEY 3/16 SQ X 1 - 3/4 LG.		-	-	9201084	2
64	SPACER		-	-	800421	1
65	WASHER 3/4 SAE		*8172015	4	*8172015	6
66	BEARING PILLOW BLOCK		-	-	800557	2
67	SCREW CAP 5/16-18 X 1		-	-	*8041028	8
68	WASHER 3/4 (0.765 X 1.25 X 0.06)		-	-	850238	2
69	BELT DRIVE		-	-	800250	1
70	PULLEY WITH SET SCREW		-	-	800251	1
71	SPACER ENGINE INTEK		430353	1	430353	1
72	WASHER 3/8 WITH HOLE		-	-	800889	1
73	BAR BRACKET IDLER		-	-	810159	1
74	WASHER FENDER 1/4 (9/32 I.D. X 1 - 1/4 O.D. X 3/64)		-	-	*8172019	2
75	PULLEY IDLER		-	-	800260	1
76	BOLT IDLER		-	-	800888	1
77	NUT 3/8-16 REGULAR		-	-	*8142003	2
78	BAR IDLER		-	-	800261	1
79	SPRING		-	-	800242	1
80	WASHER HUB CAP		-	-	850237	2
81	IDLER ASS'Y (INCLUDES 18 (1), 35 (1), 54(1), 73 THRU 78)		-	-	810211	1
82	PLATE ADAPTER		-	-	810157	1
83	WHEEL ASS'Y, BGSP includes 6 (1), 7(1), 65(1), 68 (1), 80(1), 63(1))		-	-	800995	2
84	TRANSMISSION REV FWD.		-	-	810206	1

19

Parts List
continued from
page 11.

Item No.	19 PARTS LIST	Description	BG81	Qty.	BG81SP	Qty.
			Part No.		Part No.	
85		BRACKET ANGLE SHIFT	-	-	810158	1
86		CABLE CLUTCH ASS'Y BG	-	-	810160	1
87		GUARD CHAIN W/LABELS (INCLUDES ITEM 51)	-	-	811041	1
88		ROD BAIL ASS'Y	-	-	810172	1
89		GRIP	-	-	800885	1
90		ROD LEVER SHIFT ASS'Y (INCLUDES ITEM 89)	-	-	810162	1
91						
92		CAP ENDS	800392	2	800392	2
93		TY WRAP	900407	3	900407	5
94		CHAIN DRIVE BG	-	-	810156	1
95		HANDLE BRACE LH	800821	1	800821	1
96		CASTER DUAL ASSY (INCLUDES (1) OF EACH 11, 12, 13, 14)	800682	2	800682	2
97		PROTECTOR WHEEL ASS'Y (INCLUDES ONE EACH OF 21, 19, 18, 53)	800347	2	800347	2
98		LABEL DO NOT FILL WHILE ENGINE IS HOT	400268	1	400268	1
99		HANDLE BRACE RH	800822	1	800822	1
100		LABEL DANGER KEEPS HANDS & FEET AWAY	400424	1	400424	1
101		LABEL CAUTION	830138	2	830138	2
102		LABEL FLYING MATERIAL	810736	1	810736	1
103		LABEL EAR EYE BREATHING	890254	2	890254	2
104		LABEL WARNING GUARDS	-	-	900327	1
105		LABEL CLUTCH	-	-	900328	1
106		LABEL READ	890301	1	890301	1
107		GUARD PULLEY BG80	-	-	811037	1
108		GUARD BELT BG80	-	-	800021	1
109		SCREW SELF TAP 1/4 - 14 X 3/4	-	-	900505	2
110		NUT JAM 1/4-20	*8143001	1	*8143001	1
111		BALL 1/4	850194	1	850194	1
112		WASHER BELLVILLE 1/4	850207	2	850207	2
113		PLATE QUAD LIFT	850192	1	850192	1
114		PLATE FRICTION LIFT	850191	1	850191	1
115		BAR LEVER DOOR	850189	1	850189	1
116		PLATE CLAMP LIFT	850193	1	850193	1

* Denotes standard hardware item that may be purchased locally.

△ Denotes parts found in parts bag assembly.