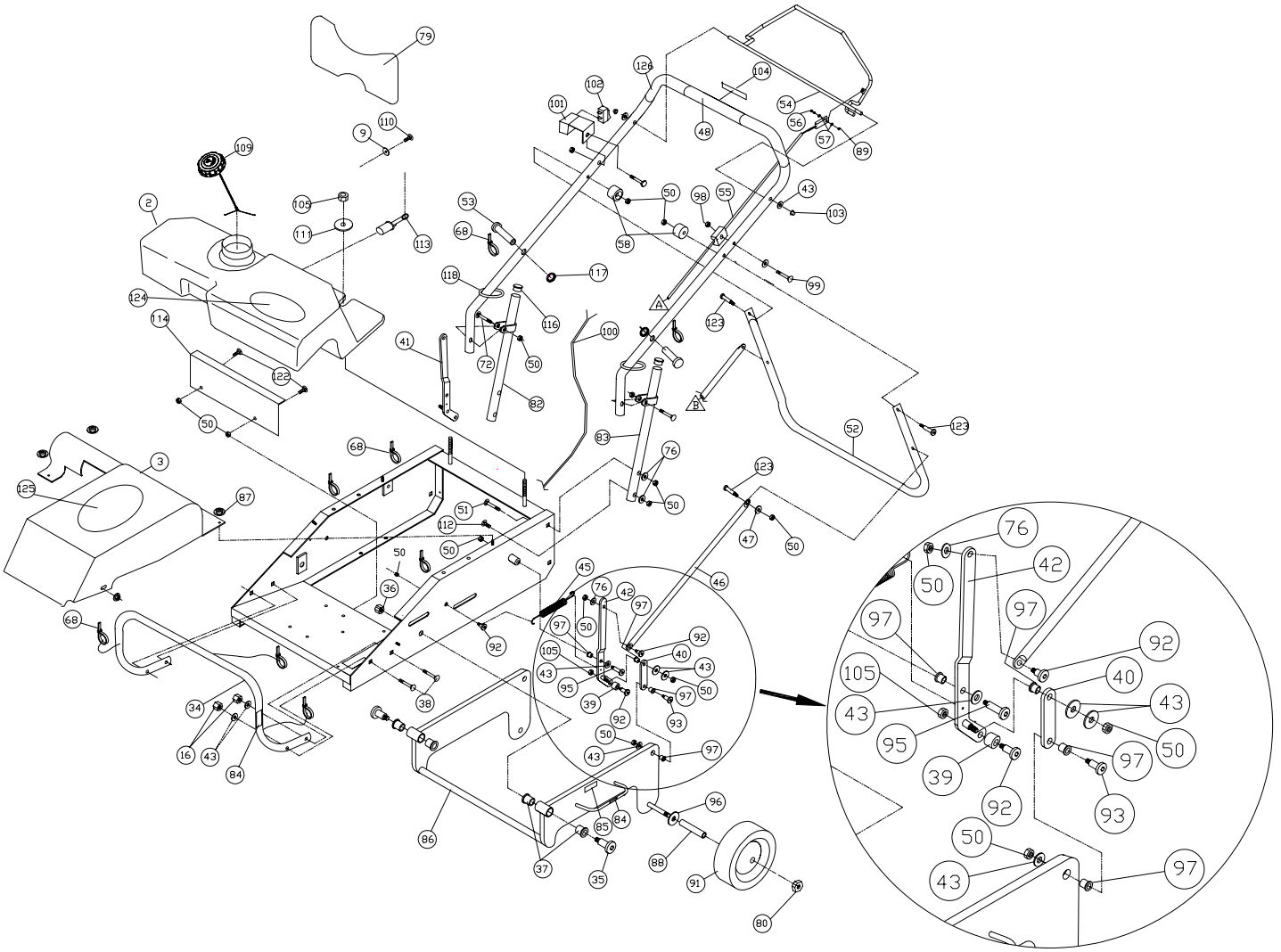


PARTS DRAWING AE





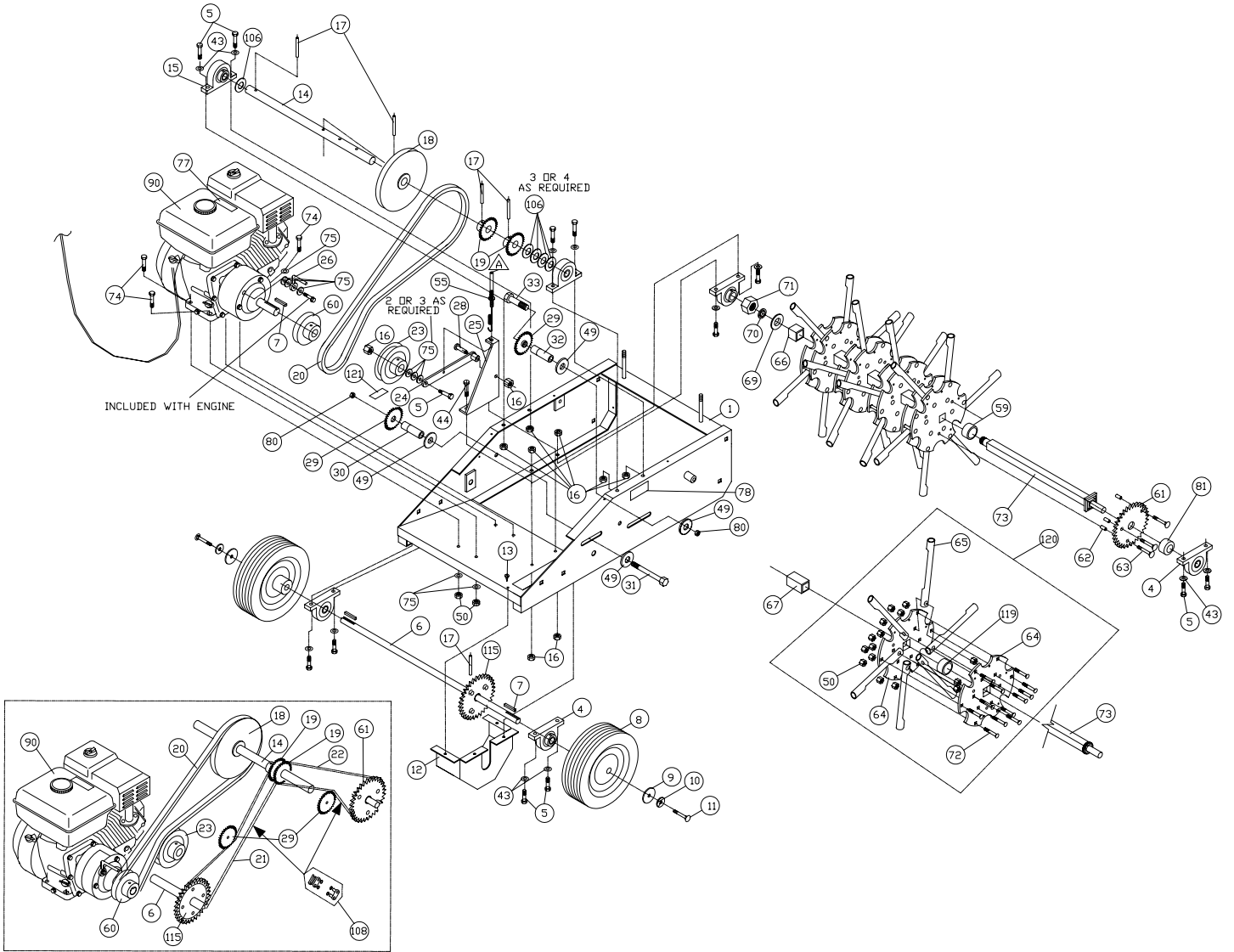
AE Owner's Manual

PARTS LIST AE

ITEM NO.	DESCRIPTION	AE401H Part No.	QTY	AE401S Part No.	QTY	ITEM NO.	DESCRIPTION	AE401H Part No.	QTY	AE401S Part No.	QTY
2	WATER TANK 5.5 GAL	360238	1	360238	1	84	LABEL LIFT HERE	360187	4	360187	4
3	GUARD DRIVE COVER	360280	1	360305	1	85	LABEL WARNING WEIGHT	360188	2	360188	2
9	WASHER 5/16 FENDER	8172020	3	8172020	3	86	FRAME REAR WA	360267	1	360267	1
16	NUT LOCK 3/8-16	8160003	4	8160003	4	87	NUT FLANGE 1/4-20	900453	4	900453	4
34	TUBE FRONT BUMPER	360254	1	360254	1	88	WHEEL SPACER AE	360275	2	360275	2
35	BOLT SHOULDER 3/4 x 2.5	360146	2	360146	2	89	LOCKNUT #10-24	8164005	1	8164005	1
36	NUT LOCK 5/8-11 THIN	8161046	2	8161046	2	91	TIRE & WHEEL 8"	350103	2	350103	2
37	BUSHING PIVOT	360183	4	360183	4	92	BOLT SHOULDER 3/8 x 1/2"	830528	6	830528	6
38	BOLT CARRIAGE 3/8-16 x 1.75"	8024061	4	8024061	4	93	BOLT SHOULDER 3/8 x 1"	360152	2	360152	2
39	TUBE SPACER	830526-P	2	830526-P	2	95	BOLT SHOULDER 3/8 x 2"	360153	2	360153	2
40	BRACKET LIFT LINK	360246	2	360246	2	96	WASHER 1/2" SAE ZP	8172011	2	8172011	2
41	LINK LIFT RIGHT	360300	1	360300	1	97	BUSHING SHOULDER NYLON 3/8 ID	360175	8	360175	8
42	LINK LIFT LEFT	360299	1	360299	1	98	NUT LOCK 1/4x20 THIN	8160001	1	8160001	1
43	WASHER FLAT 3/8 SAE	8172009	14	8172009	14	99	SCREW CAP 1/4 - 20 x 1 1/2"	8041009	1	8041009	1
45	SPRING EXTENSION	360154	2	360154	2	100	HARNES WIRE AE	360199	1	360316	1
46	ROD LIFT	360297	2	360297	2	101	BRACKET MOUNT SWITCH	430141	1	430141	1
47	WASHER 5/16 SAE ZP	8172008	2	8172008	2	102	SWITCH ON-OFF	500281	1	500281	1
48	HANDLE UPPER AE	350375	1	350375	1	103	NUT - PAL 3/8	360218	2	360218	2
50	NUT LOCK 5/16-18	8160002	20	8160002	20	104	CLUTCH LABEL	830503	1	830503	1
51	CARRIAGE BOLT 5/16-18X1.50	8024042	2	8024042	2	105	NUT LOCK 5/16 -18 THIN	8161041	6	8161041	6
52	HANDLE LIFT	360296	1	360296	1	107	PLASTIC LANYARD	360243	3	360243	3
53	CLEVIS PIN 3/8" X 1.625	520119	2	520119	2	109	CAP WATER TANK	360256	1	360256	1
54	BAIL CLUTCH	350374	1	350374	1	110	SCREW SELF TAP 1/4-20 x 5/8"	430361	1	430361	1
55	CABLE CLUTCH ASSY	350313	1	360313	1	111	WASHER - EXTENSION	810652	2	810652	2
56	SCREWCAP #10 - 24 X 0.625	8059135	1	8059135	1	112	CARRIAGE BOLT 5/8" X 34"	8024039	2	8024039	2
57	WASHER #10 SAE FLAT	8172005	2	8172005	2	113	PLUG DRAIN 1"	360293	1	360293	1
58	BUMBER RECESS	360298	2	360298	2	114	GUARD PLUG AE	360292	1	360292	1
68	TY-WRAP	900407	10	900407	10	116	PLUG CAP 1" TUBE	890132	2	890132	2
72	CARRIAGE BOLT 5/16-18X1.75	8024043	2	8024043	2	117	RETAINER 3/8"	360279	2	360279	2
76	WASHER 1/4 FLAT CUT	8171002	9	8171002	9	118	LOOP FOLDING HANDLE	350138	2	350138	2
79	LABEL TANK INSTRUCTIONS AE	360025	1	360025	1	122	SCREWCAP 5/16-18 x 3/4	8041026	2	8041026	2
80	NUT LOCK 1/2 - 13 THIN HGT	8161044	2	8161044	2	123	BOLT SHOULDER 3/8 x 1 1/4"	360284	4	360284	4
82	HANDLE LOWER RIGHT WA	360270	1	360270	1	124	LABEL BILLY GOAT OVAL	360274	1	360274	1
83	HANDLE LOWER LEFT WA	360269	1	360269	1	125	LABEL BILLY GOAT CIRCLE	430303	1	430303	1
						126	GRIP	400570	2	400570	2



PARTS DRAWING AE





PARTS LIST AE

ITEM NO.	DESCRIPTION	AE401H Part No.	QTY	AE401S Part No.	QTY	ITEM NO.	DESCRIPTION	AE401H Part No.	QTY	AE401S Part No.	QTY
1	FRAME ASSEMBLY WA AE401	360304	1	360304	1	44	SCREWCAP 3/8-16 x1	8041050	2	8041050	2
4	BEARING 3/4" PILLOW BLOCK	350133	4	350133	4	49	FLAT WASHER 1/2"	8171006	4	8171006	4
5	SCREWCAP 3/8-16 x 1 1/2	8041052	12	8041052	12	50	NUT LOCK 5/16-18	8160002	55	8160002	55
6	FRONT AXLE 3/4"	360259	1	360259	1	55	CABLE CLUTCH ASSY	360313	1	360313	1
7	KEY SQUARE 3/16 x 3/16 x 1.25	9201080	3	9201080	3	59	SPACER TINE SPROCKET END	360108	1	360108	1
8	WHEEL 10.5" SEM PN W3/4" KEYED HUB	360157	2	360157	2	60	PULLEY ENGINE	360117	1	360117	1
9	FENDER WASHER 5/16"	8172020	3	8172020	3	61	SPROCKET 42 T	360106	1	360106	1
10	WASHER LOCK 5/16 TWISTED TOOTH	430298	2	430298	2	62	SPACER - TINE SPROCKET 1.468	360272	3	360272	3
11	SCREWCAP 5/16-18 x 1"	8041028	2	8041028	2	63	SCREWCAP 5/16-18 x 2.50"	8041034	3	8041034	3
12	GUARD DIFFERENTIAL AE	360248	1	360248	1	64	TINE PLATE	360101	8	360101	8
13	SCREW SELF TAP 1/4 x 1/2"	8122080	2	8122080	2	65	TINE	360100	24	360100	24
14	JACKSHAFT AERATOR	360253	1	360253	1	66	SPACER - NUT RIGHT END	360266	1	360266	1
15	BEARING 1" PILLOW BLOCK	810700	2	810700	2	67	SPACER - BETWEEN TINE ASSEMBLIES	360265	3	360265	3
16	NUT LOCK 3/8-16	8160003	16	8160003	16	69	HEAVY WASHER TINE ASSY	830113	1	830113	1
17	COILED PIN 1/4" - 2.25" LONG	360257	5	360257	5	70	WASHER LOCK 7/8" INTERNAL	350154	1	350154	1
18	PULLEY 8" x 1" BORE W/ HOLE	360237	1	360237	1	71	NUT JAM 7/8 -14 (Torque 100 ft.lbs)	350155	1	350155	1
19	SPROCKET 16T x 1" BORE	360260	2	360260	2	72	CARRIAGE BOLT 5/16-18X1.75	8024043	48	8024043	48
20	BELT 4L x 43" POWER RATED	360120	1	360120	1	73	SHAFT TINE DRIVE	360102	1	360102	1
21	CHAIN #40 x 94 PITCH O-RING (WHEEL)	360120	1	360120	1	74	SCREWCAP 5/16 - 18 x 1.5"	8041030	4	8041030	4
22	CHAIN #40 x 76 PITCH O-RING (TINE)	360114	1	360114	1	75	WASHER FLAT CUT 5/16	8171003	9 CR 10	8171003	9 CR 10
23	PULLEY IDLER 4.5"	500270	1	500270	1	77	LABEL HOT ENGINE	400268	1	400268	1
24	ARM IDLER WA	510199	1	510199	1	78	LABEL DANGER GUARD	900327	2	900327	2
25	BRACKET MOUNT IDLER	360121	1	360121	1	80	NUT LOCK 1/2 -13 THIN	8161044	2	8161044	2
26	BELT FINGER FRONT AE	360219	1	360219	1	81	SPACER BEARING/SPROCKET 0.375 THK	360109	1	360109	1
27						90	ENGINE	360278	1	360306	1
28	BOLT SHOULDER 1/2 x 1	500114	1	500114	1	94	LOCKNUT 3/8" - 16 THIN HGT	8161042	1	8161042	1
29	SPROCKET IDLER 17T x 5/8" BORE	360116	2	360116	2	106	WASHER 1.062" ID X 1.75 OD	8172021	4 CR 5	8172021	4 CR 5
30	SPACER SPROCKET IDLER 2.5"	360123	1	360123	1	108	CHAIN MASTER LINK	360205	2	360205	2
31	SCREWCAP 1/2 - 13 x 4	8041106	1	8041106	1	115	SPROCKET 35 TOOTH	360252	1	360252	1
32	SPACER SPROCKET IDLER 1.175"	360124	1	360124	1	119	SPACER - TINE PLATES	360105	4	360105	4
33	SCREWCAP 1/2 - 13 x 3"	8041102	1	8041102	1	120	TINE ASSY (INCLUDES 50,64,65,72,&119)	360197	1	360197	1
43	WASHER FLAT 3/8 SAE	8172009	12	8172009	12	121	RUBBER PAD 1/8" TK X 1/2" W	350310	1	350310	1